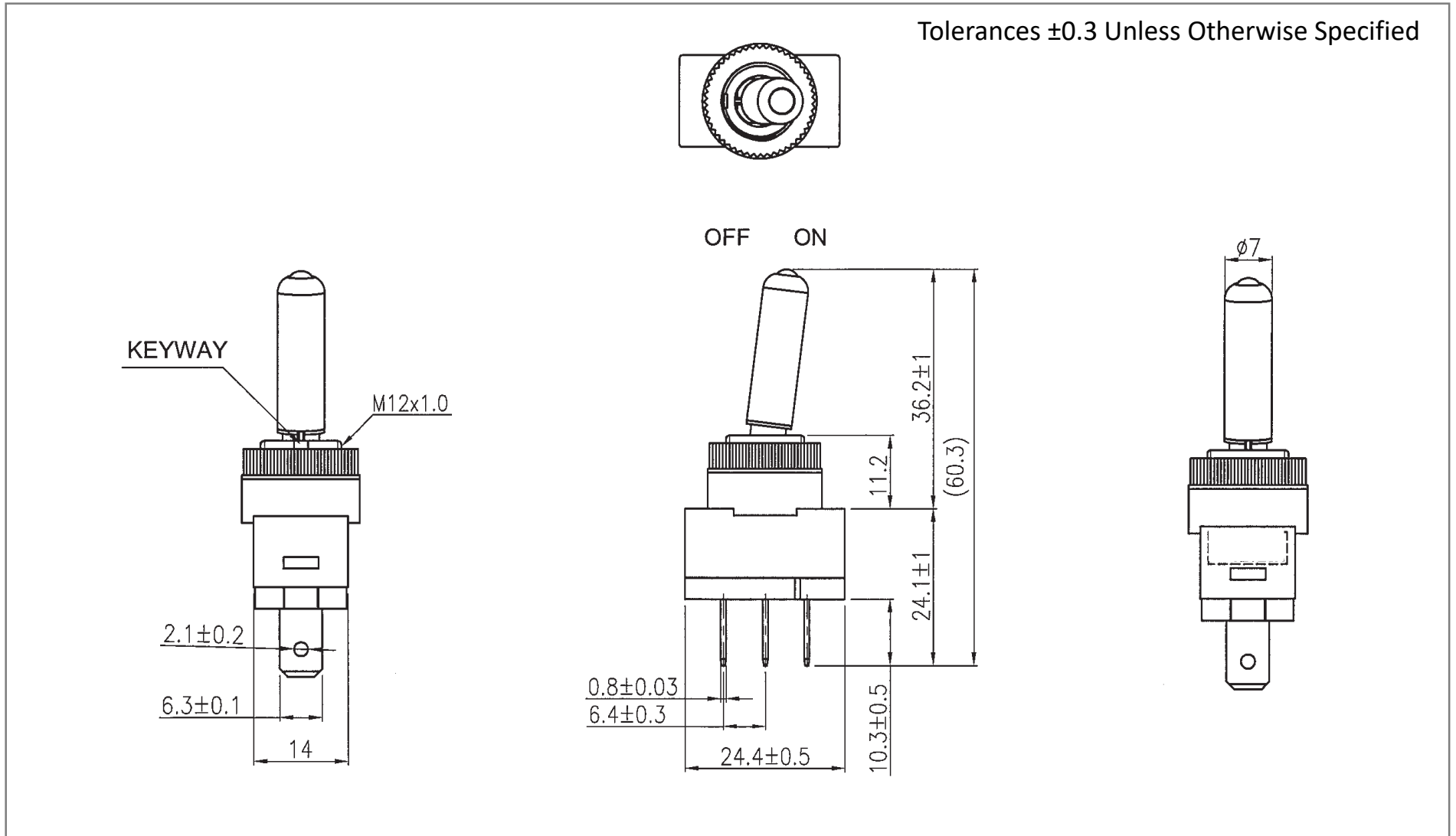
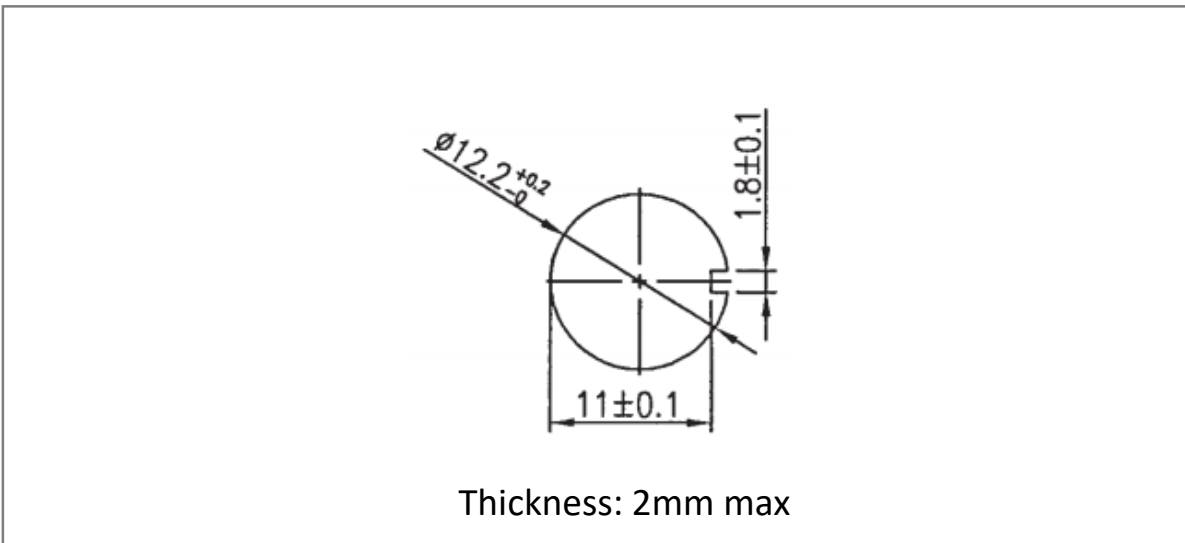


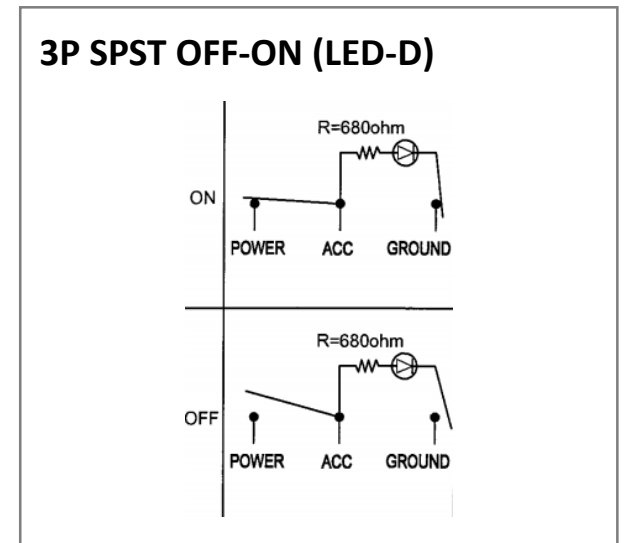
**Mechanical Dimensions (mm)**



**Mounting Hole**



**Circuit Diagram**



**Electrical Specifications**

<b>Rating</b>	20A 12 VDC
<b>Contact Resistance</b>	50m ohm Max.
<b>Insulation Resistance</b>	DC 500V 100M ohm Min.
<b>Dielectric Strength</b>	AC 1500V 1 minute

**Material Specifications**

<b>Frame</b>	Black, PC
<b>Base</b>	Black, PBT
<b>Handle</b>	Cr plated, Brass alloy
<b>LED</b>	Blue (Dependent)
<b>Terminals</b>	Brass alloy