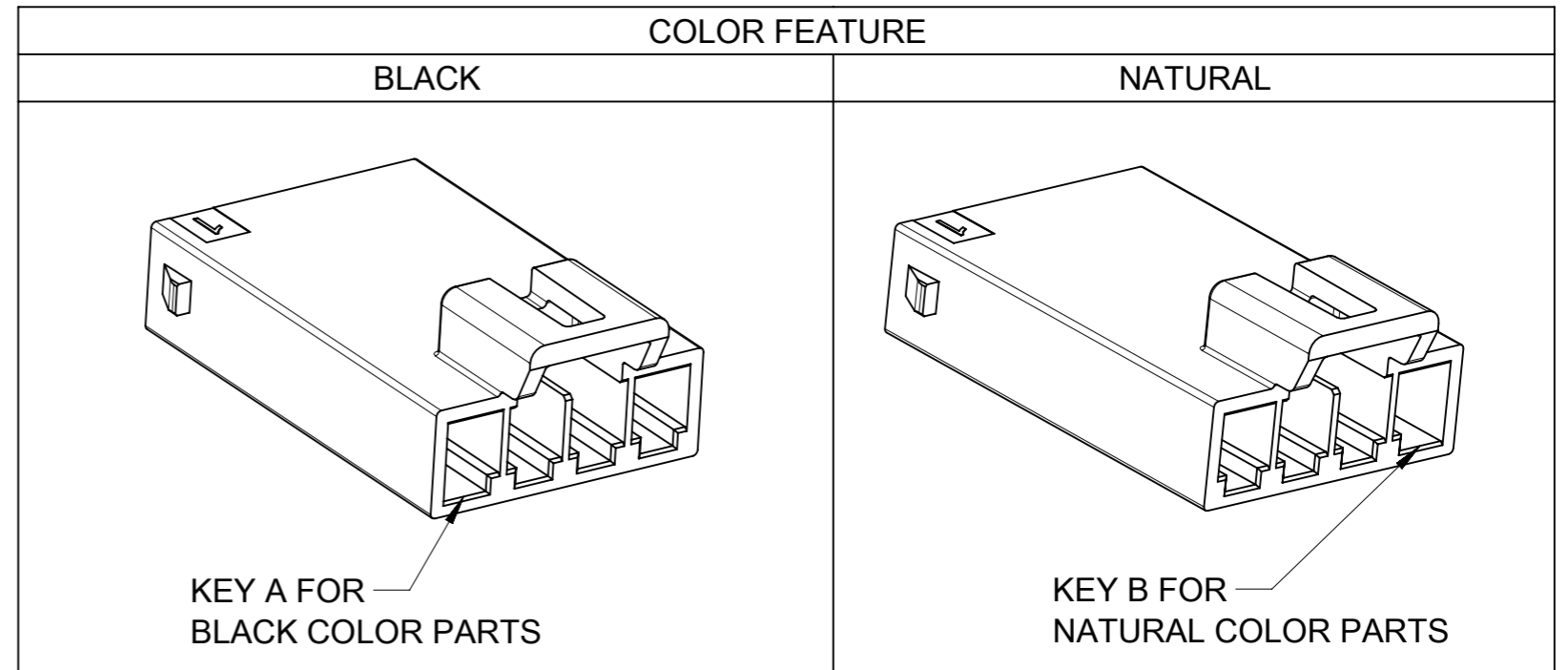
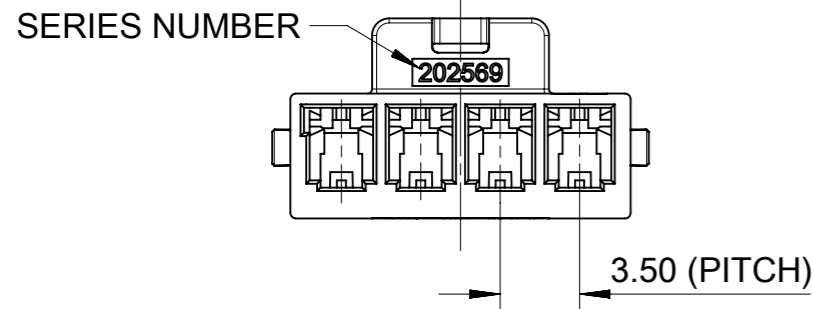
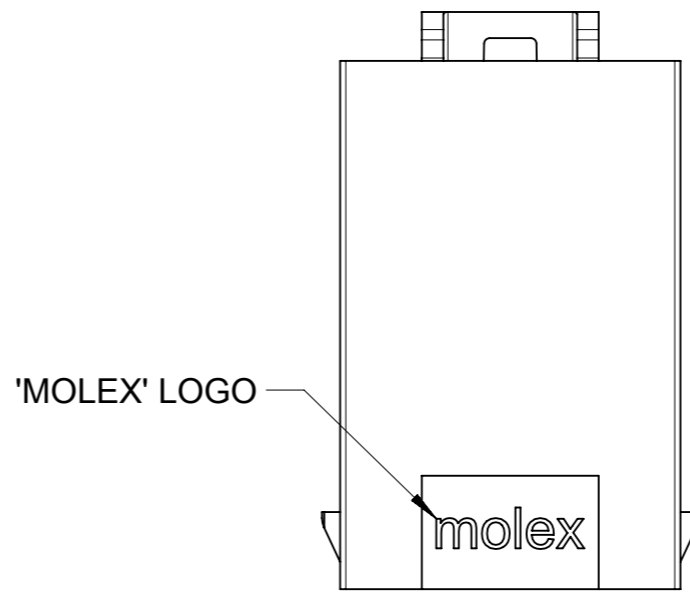
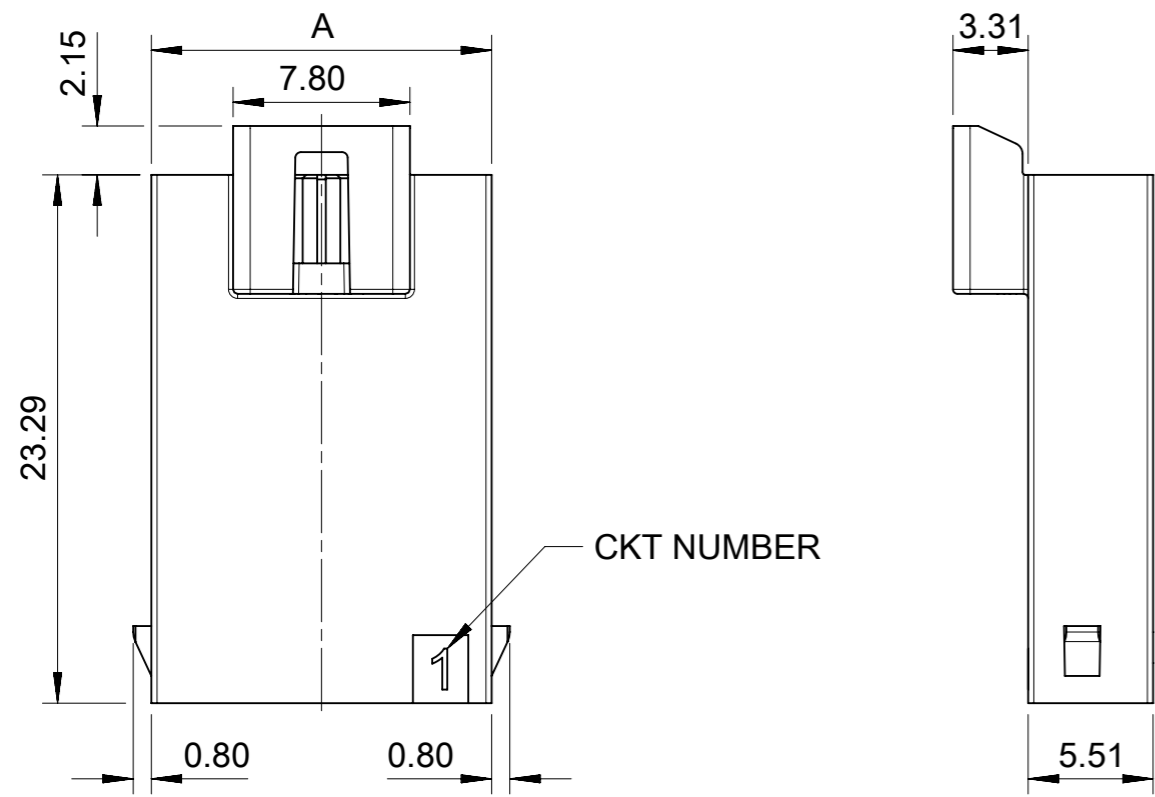


FREE HANGING PLUG PARTS

PART NUMBER	CIRCUIT SIZE	DIM 'A'	COLOR	TYPE
202569-3002	2	8.0	BLACK	FREE HANGING
202569-3003	3	11.5		
202569-3004	4	15.0		
202569-3005	5	18.5		
202569-3006	6	22.0		
202569-3007	7	25.5		
202569-3008	8	29.0		
202569-4002	2	8.0		
202569-4003	3	11.5		
202569-4004	4	15.0		
202569-4005	5	18.5		
202569-4006	6	22.0		
202569-4007	7	25.5		
202569-4008	8	29.0		

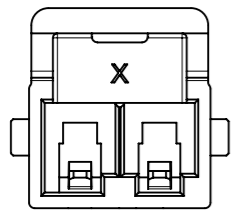


NOTES:

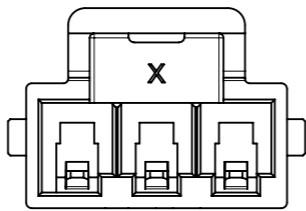
1. MATERIAL: PA66, 94V-0, BLACK AND NATURAL.
2. PRODUCT SPECIFICATION: 2169461000-PS.
3. PACKAGE SPECIFICATION: 2025691000-PK.
4. TO USE WITH TERMINAL OF 216946-****.
5. TO USE WITH TPA OF 172264-****.
6. TO MATE WITH RECEPTACLE OF 172256-****.
7. PARTS CONFORM TO CLASS 'B' REQUIREMENTS OF COSMETIC SPECIFICATION PS-45499-002.

THIS DRAWING CONTAINS INFORMATION THAT IS PROPRIETARY TO MOLEX ELECTRONIC TECHNOLOGIES, LLC AND SHOULD NOT BE USED WITHOUT WRITTEN PERMISSION									
DIMENSION UNITS		SCALE		CURRENT REV DESC:					
mm		NTS							
GENERAL TOLERANCES (UNLESS SPECIFIED)				EC NO: 726545				PLUG HOUSING OF ULTRA-FIT WTW SR POWER CONNECTOR	
ANGULAR TOL ± °				DRWN: LEOW 2022/10/31					
4 PLACES ±				CHK'D: EDUGGER 2022/11/01				PRODUCT CUSTOMER DRAWING	
3 PLACES ±				APPR: EDUGGER 2022/11/01					
2 PLACES ± 0.2				INITIAL REVISION:				DOCUMENT NUMBER: 2025691000-SD	
1 PLACE ± 0.3				DRWN: GLLI 2021/07/06					
0 PLACES ±				APPR: EDUGGER 2022/11/01				DOC TYPE: PSD	
DRAFT WHERE APPLICABLE MUST REMAIN WITHIN DIMENSIONS		THIRD ANGLE PROJECTION		DRAWING		SERIES		SHEET NUMBER	
				A3-SIZE		202569		1 OF 6	

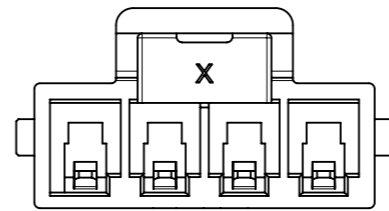
DOCUMENT STATUS	P1	RELEASE DATE	2022/11/01	13:33:31
-----------------	----	--------------	------------	----------



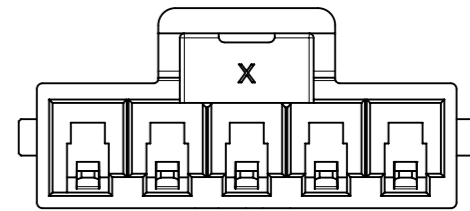
2CKT



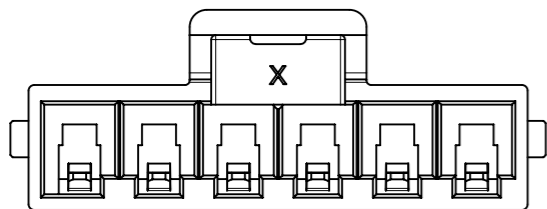
3CKT



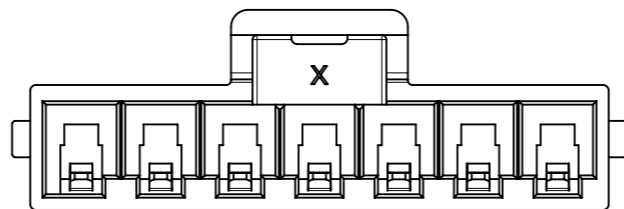
4CKT



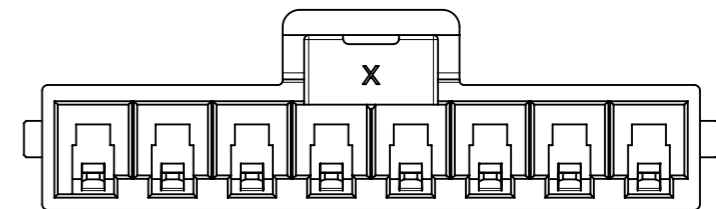
5CKT



6CKT



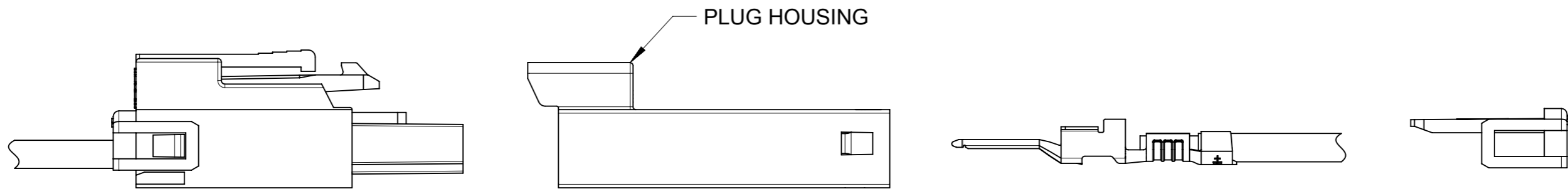
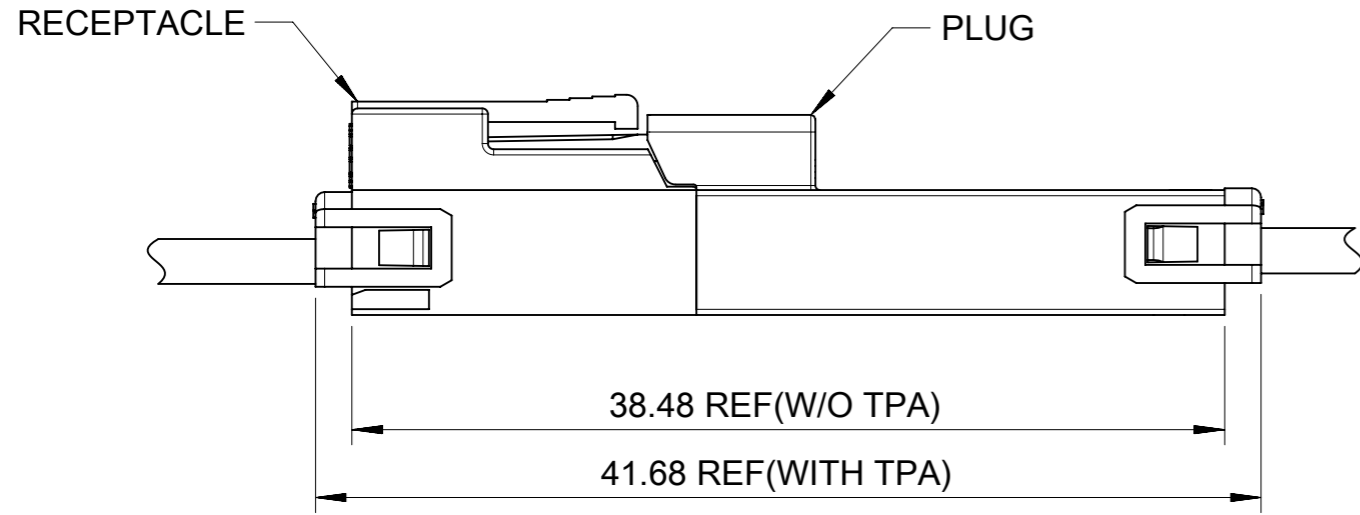
7CKT



8CKT

THIS DRAWING CONTAINS INFORMATION THAT IS PROPRIETARY TO MOLEX ELECTRONIC TECHNOLOGIES, LLC AND SHOULD NOT BE USED WITHOUT WRITTEN PERMISSION													
DIMENSION UNITS		SCALE		CURRENT REV DESC:				molex					
mm		NTS											
GENERAL TOLERANCES (UNLESS SPECIFIED)				EC NO: 726545 DRWN: LEOW 2022/10/31 CHK'D: EDUGGER 2022/11/01 APPR: EDUGGER 2022/11/01 INITIAL REVISION: DRWN: GLLI 2021/07/06 APPR: EDUGGER 2022/11/01				PLUG HOUSING OF ULTRA-FIT WTW SR POWER CONNECTOR					
ANGULAR TOL ± °								PRODUCT CUSTOMER DRAWING					
4 PLACES ±								DOCUMENT NUMBER		DOC TYPE		DOC PART	
3 PLACES ±								2025691000-SD		PSD		000	
2 PLACES ± 0.2								SERIES		CUSTOMER		REVISION	
1 PLACE ± 0.3								A3-SIZE		GENERAL MARKET		A	
0 PLACES ±				MATERIAL NUMBER		SHEET NUMBER							
DRAFT WHERE APPLICABLE MUST REMAIN WITHIN DIMENSIONS				THIRD ANGLE PROJECTION		DRAWING		202569					
				A3-SIZE		202569		2 OF 6					

FREE HANGING PLUG PARTS

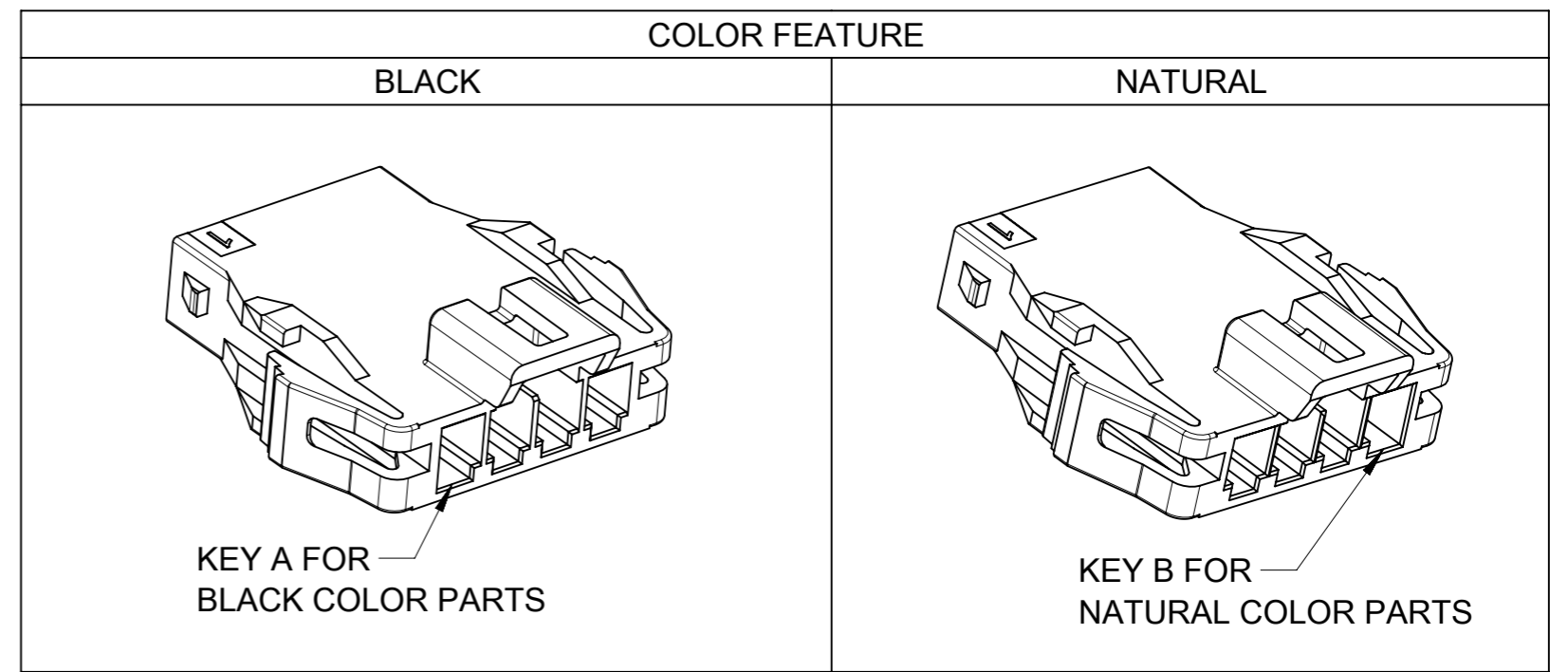
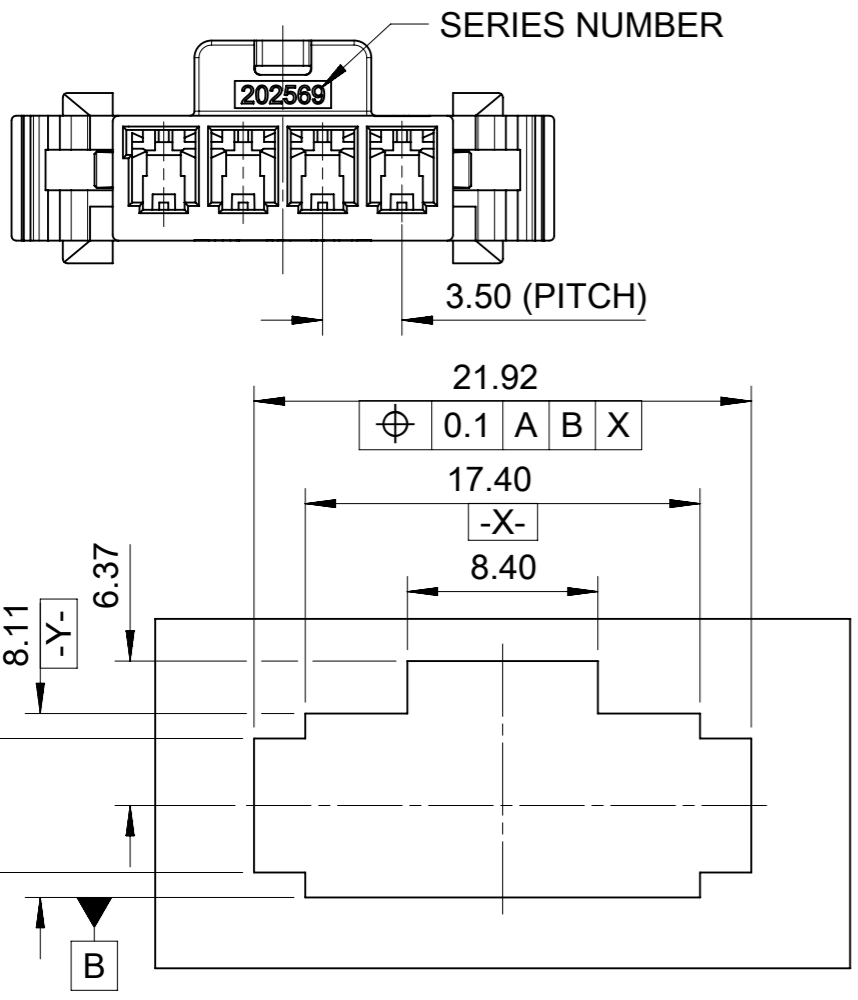
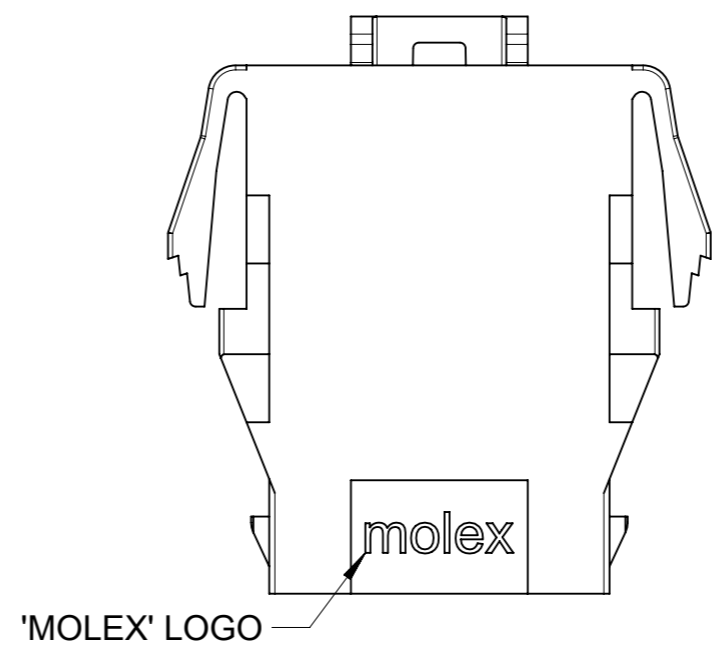
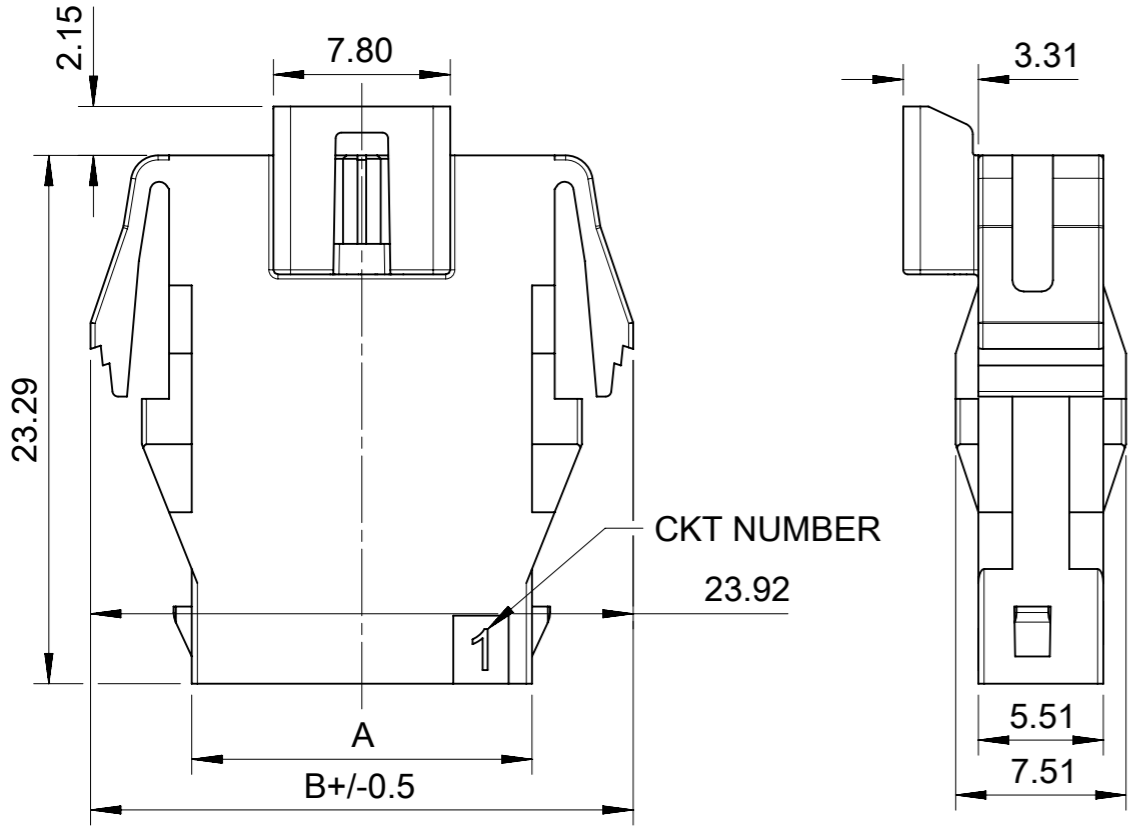


←
PLUG TERMINAL AND TPA ORIENTATION

THIS DRAWING CONTAINS INFORMATION THAT IS PROPRIETARY TO MOLEX ELECTRONIC TECHNOLOGIES, LLC AND SHOULD NOT BE USED WITHOUT WRITTEN PERMISSION									
DIMENSION UNITS		SCALE		CURRENT REV DESC:				molex	
mm		NTS							
GENERAL TOLERANCES (UNLESS SPECIFIED)				EC NO: 726545				PLUG HOUSING OF ULTRA-FIT WTW SR POWER CONNECTOR	
ANGULAR TOL ± °				DRWN: LEOW 2022/10/31				PRODUCT CUSTOMER DRAWING	
4 PLACES ±				CHK'D: EDUGGER 2022/11/01				DOCUMENT NUMBER	
3 PLACES ±				APPR: EDUGGER 2022/11/01				2025691000-SD	
2 PLACES ± 0.2				INITIAL REVISION:				DOC TYPE	
1 PLACE ± 0.3				DRWN: GLLI 2021/07/06				PSD	
0 PLACES ±				APPR: EDUGGER 2022/11/01				DOC PART	
DRAFT WHERE APPLICABLE MUST REMAIN WITHIN DIMENSIONS				THIRD ANGLE PROJECTION		DRAWING		REVISION	
				A3-SIZE		SERIES		SHEET NUMBER	
						202569		3 OF 6	
						MATERIAL NUMBER		CUSTOMER	
						GENERAL MARKET			

PANEL MOUNT PLUG PARTS

PART NUMBER	CIRCUIT SIZE	DIM 'A'	DIM 'B'	COLOR	TYPE
202569-3102	2	8.0	16.92	BLACK	PANEL MOUNT
202569-3103	3	11.5	20.42		
202569-3104	4	15.0	23.92		
202569-3105	5	18.5	27.42		
202569-3106	6	22.0	30.92		
202569-3107	7	25.5	34.42		
202569-3108	8	29.0	37.92		
202569-4102	2	8.0	16.92		
202569-4103	3	11.5	20.42		
202569-4104	4	15.0	23.92		
202569-4105	5	18.5	27.42		
202569-4106	6	22.0	30.92		
202569-4107	7	25.5	34.42		
202569-4108	8	29.0	37.92		



RECOMMENDED PANEL CUT OUT
(TOLERRANCE +/-0.05 THICKNESS=1.2~2.2MM)

THIS DRAWING CONTAINS INFORMATION THAT IS PROPRIETARY TO MOLEX ELECTRONIC TECHNOLOGIES, LLC AND SHOULD NOT BE USED WITHOUT WRITTEN PERMISSION		CURRENT REV DESC:		molex	
DIMENSION UNITS	SCALE				
mm	NTS			PLUG HOUSING OF ULTRA-FIT WTW SR POWER CONNECTOR	
GENERAL TOLERANCES (UNLESS SPECIFIED)				PRODUCT CUSTOMER DRAWING	
ANGULAR TOL	± °			DOCUMENT NUMBER	
4 PLACES	±	EC NO: 726545	2022/10/31	2025691000-SD	
3 PLACES	±	DRWN: LEOW	2022/11/01	DOC TYPE	DOC PART
2 PLACES	± 0.2	CHK'D: EDUGGER	2022/11/01	PSD	000
1 PLACE	± 0.3	APPR: EDUGGER	2022/11/01	REVISION	A
0 PLACES	±	INITIAL REVISION:			
DRAFT WHERE APPLICABLE MUST REMAIN WITHIN DIMENSIONS		DRWN: GLLI	2021/07/06		
THIRD ANGLE PROJECTION		APPR: EDUGGER	2022/11/01		
DRAWING		SERIES	MATERIAL NUMBER	CUSTOMER	
A3-SIZE		202569	GENERAL MARKET		SHEET NUMBER
				4 OF 6	

10

9

8

7

6

5

4

3

2

1

F

F

E

E

D

D

C

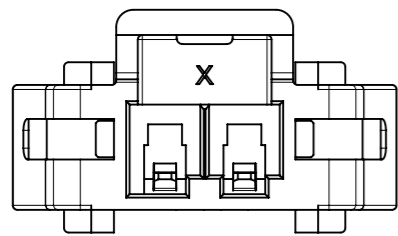
C

B

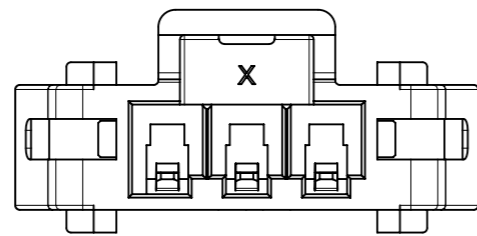
B

A

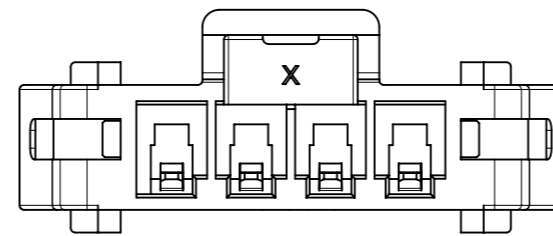
A



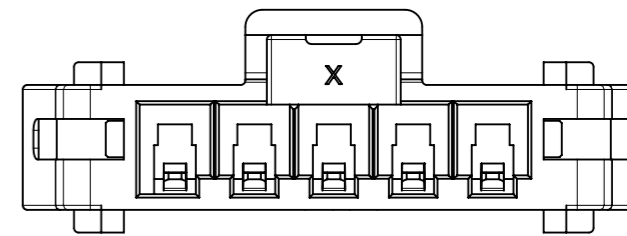
2CKT



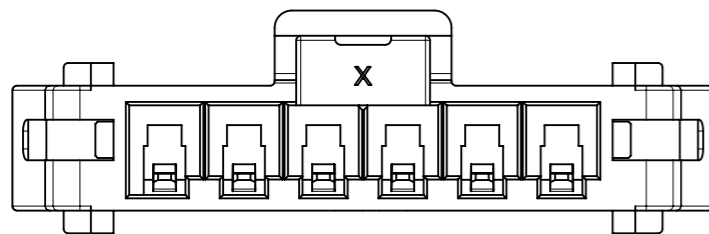
3CKT



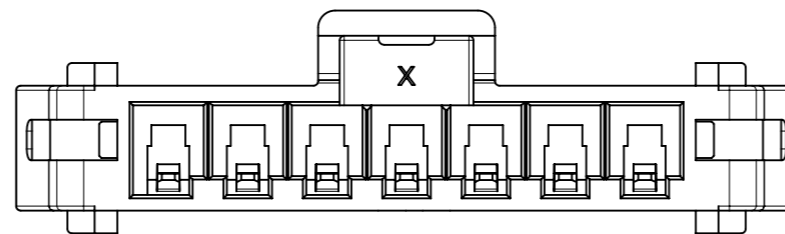
4CKT



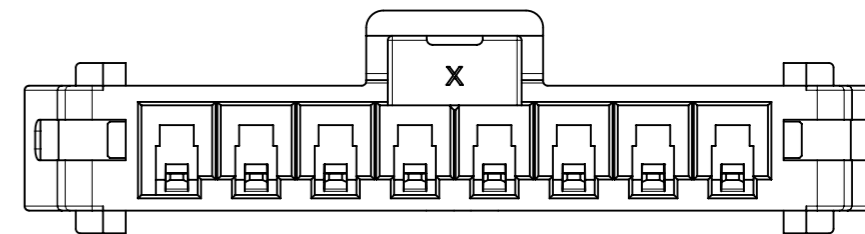
5CKT



6CKT



7CKT



8CKT

THIS DRAWING CONTAINS INFORMATION THAT IS PROPRIETARY TO MOLEX ELECTRONIC TECHNOLOGIES, LLC AND SHOULD NOT BE USED WITHOUT WRITTEN PERMISSION													
DIMENSION UNITS		SCALE		CURRENT REV DESC:									
mm		NTS											
GENERAL TOLERANCES (UNLESS SPECIFIED)				EC NO: 726545						PLUG HOUSING OF ULTRA-FIT WTW SR POWER CONNECTOR			
ANGULAR TOL ± °				DRWN: LEOW 2022/10/31									
4 PLACES ±				CHK'D: EDUGGER 2022/11/01						PRODUCT CUSTOMER DRAWING			
3 PLACES ±				APPR: EDUGGER 2022/11/01									
2 PLACES ± 0.2				INITIAL REVISION:						DOCUMENT NUMBER 2025691000-SD			
1 PLACE ± 0.3				DRWN: GLLI 2021/07/06									
0 PLACES ±				APPR: EDUGGER 2022/11/01						DOC TYPE DOC PART REVISION PSD 000 A			
DRAFT WHERE APPLICABLE MUST REMAIN WITHIN DIMENSIONS		THIRD ANGLE PROJECTION		DRAWING		SERIES		MATERIAL NUMBER		CUSTOMER		SHEET NUMBER	
				A3-SIZE		202569		GENERAL MARKET		5 OF 6			

DOCUMENT STATUS	P1	RELEASE DATE	2022/11/01	13:33:31
-----------------	----	--------------	------------	----------

9

8

7

6

5

4

3

2

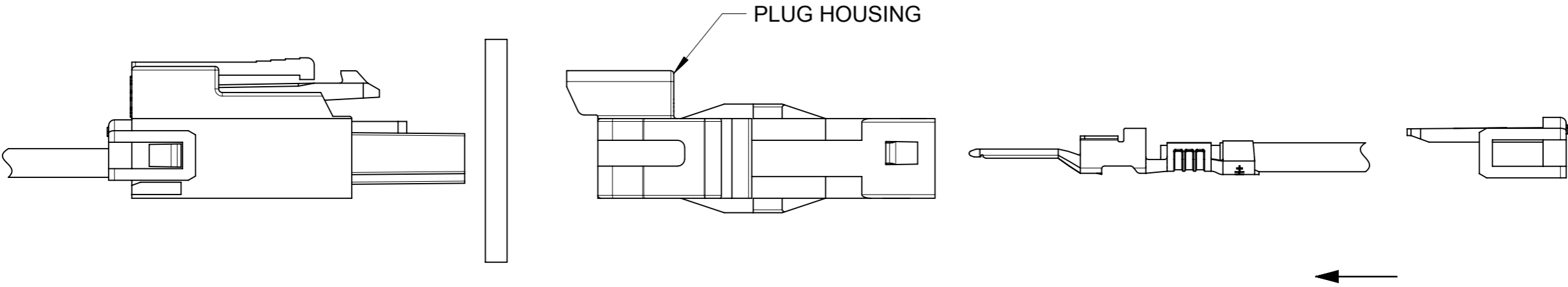
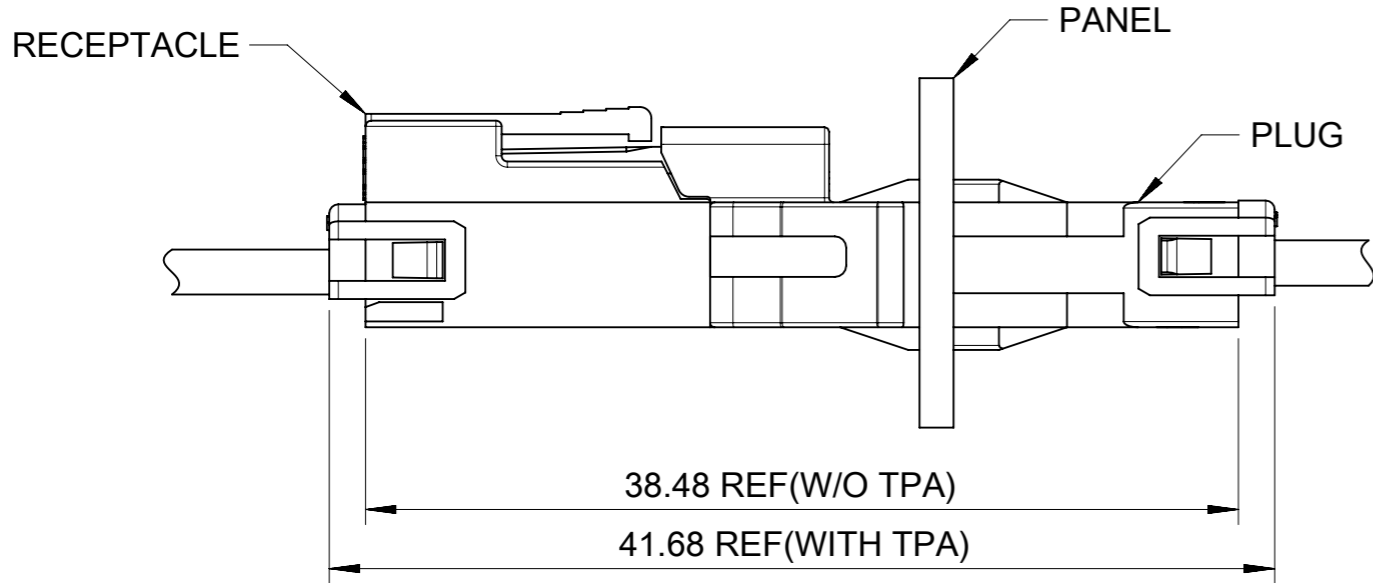
1

FORMAT: master-b-prod-A3

REVISION: 11

DATE: 2021/05/01

PANEL MOUNT PLUG PARTS



← PLUG TERMINAL AND TPA ORIENTATION

THIS DRAWING CONTAINS INFORMATION THAT IS PROPRIETARY TO MOLEX ELECTRONIC TECHNOLOGIES, LLC AND SHOULD NOT BE USED WITHOUT WRITTEN PERMISSION												
DIMENSION UNITS		SCALE		CURRENT REV DESC:				molex				
mm		NTS										
GENERAL TOLERANCES (UNLESS SPECIFIED)				EC NO: 726545 DRWN: LEOW 2022/10/31 CHK'D: EDUGGER 2022/11/01 APPR: EDUGGER 2022/11/01 INITIAL REVISION: DRWN: GLLI 2021/07/06 APPR: EDUGGER 2022/11/01				PLUG HOUSING OF ULTRA-FIT WTW SR POWER CONNECTOR				
ANGULAR TOL ± °								PRODUCT CUSTOMER DRAWING				
4 PLACES ±								DOCUMENT NUMBER		DOC TYPE	DOC PART	REVISION
3 PLACES ±								2025691000-SD		PSD	000	A
2 PLACES ± 0.2												
1 PLACE ± 0.3												
0 PLACES ±												
DRAFT WHERE APPLICABLE MUST REMAIN WITHIN DIMENSIONS			THIRD ANGLE PROJECTION		DRAWING	SERIES	MATERIAL NUMBER	CUSTOMER	SHEET NUMBER			
					A3-SIZE	202569		GENERAL MARKET	6 OF 6			