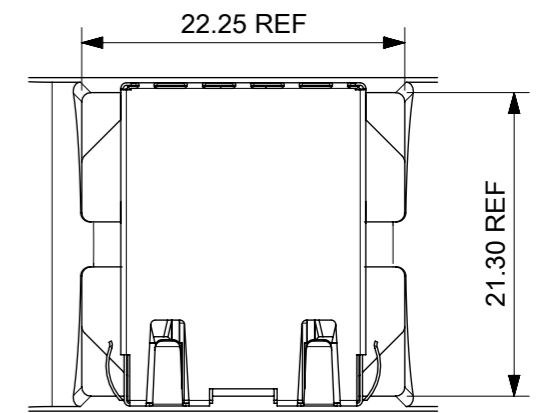
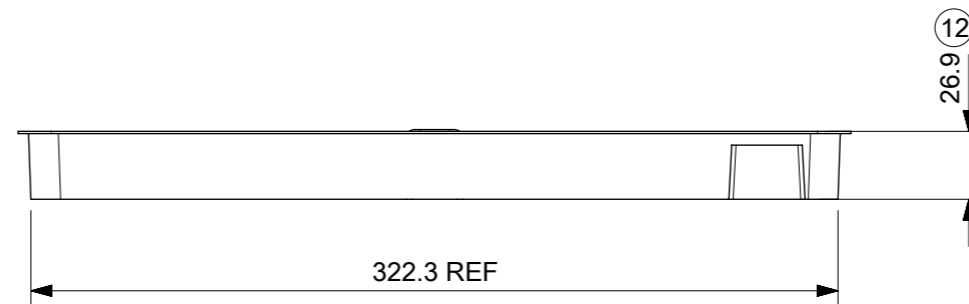
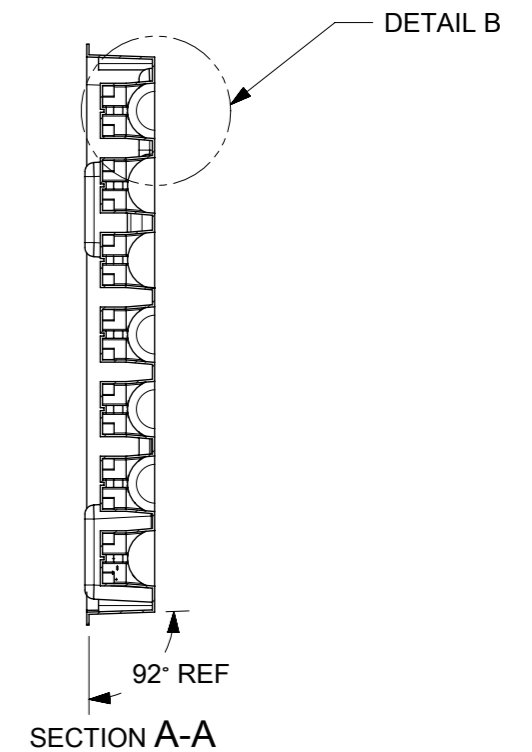
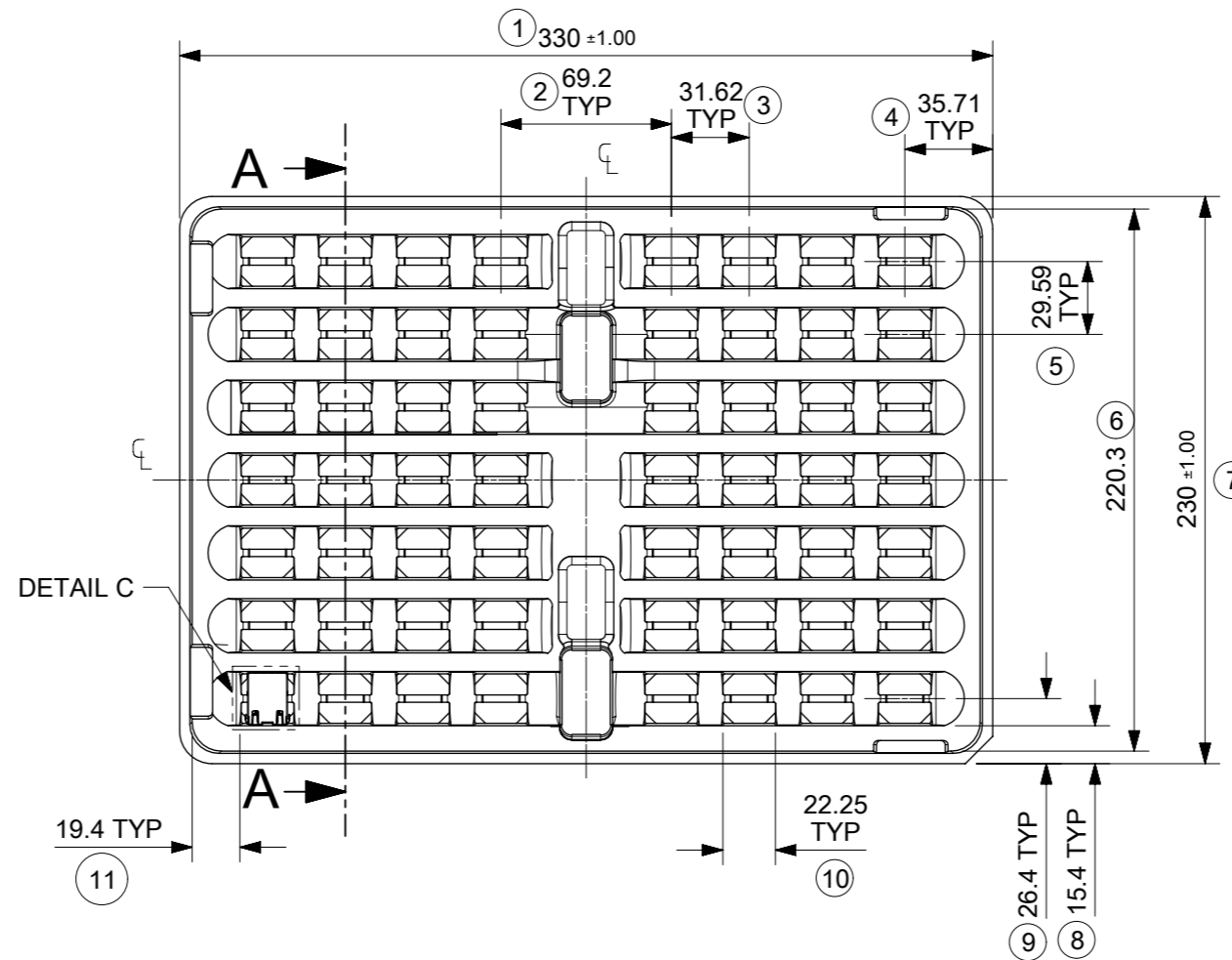


DETAIL B



DETAIL C
SCALE 2:1

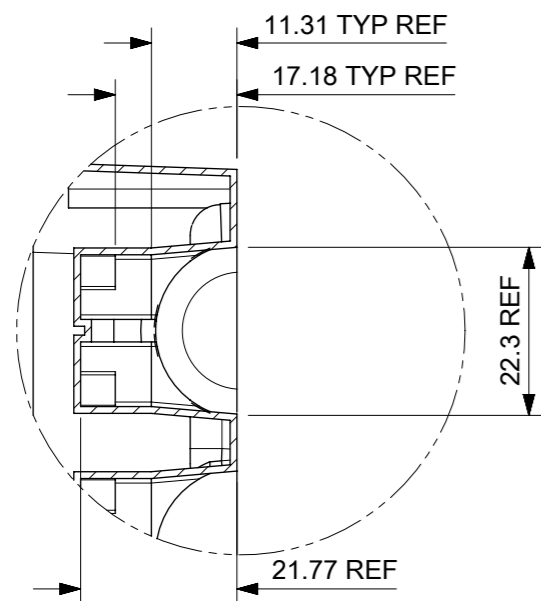


NOTES:

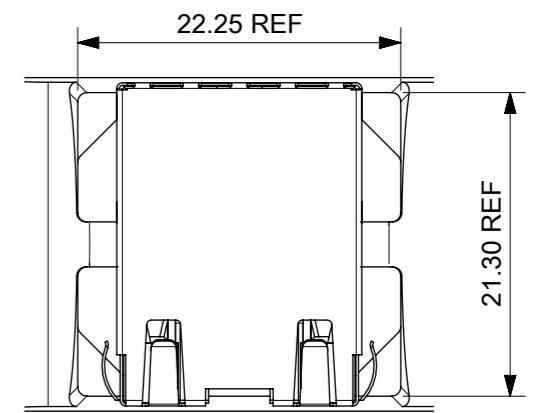
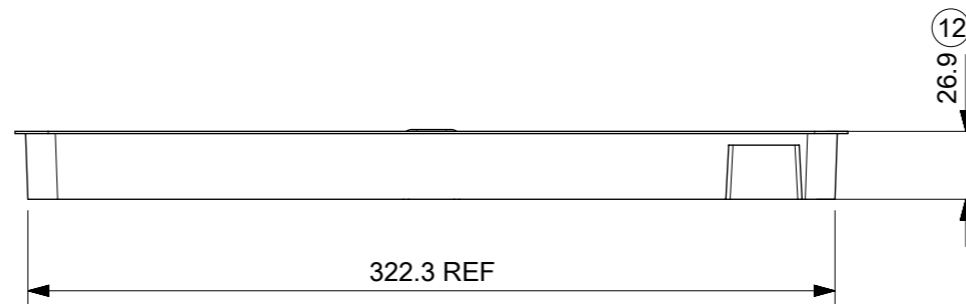
1. MATERIAL: PETA ANTISTATIC
2. THICKNESS: 0.9 mm ± 0.05 mm
3. COLOUR: CLEAR
4. BOW 2 mm MAXIMUM PER 330 mm
5. TWIST 2 mm MAXIMUM PER 330 mm
6. TRAY PART NO. AND RECYCLE LOGO TO BE CLEARLY MARKED ON TRAY
RECYCLE LOGO SHOULD BE APPROPRIATE TO MATERIAL USED
7. WHERE RELEVANT, DIMENSIONS SHOULD BE SYMMETRICAL ABOUT THE CENTRELINE
8. GENERAL PROFILE TOLERANCE $\overline{\cup}$ 0.40 ON NON DIMENSIONED FEATURES

LAST INSPECTION NUMBER USED: 12

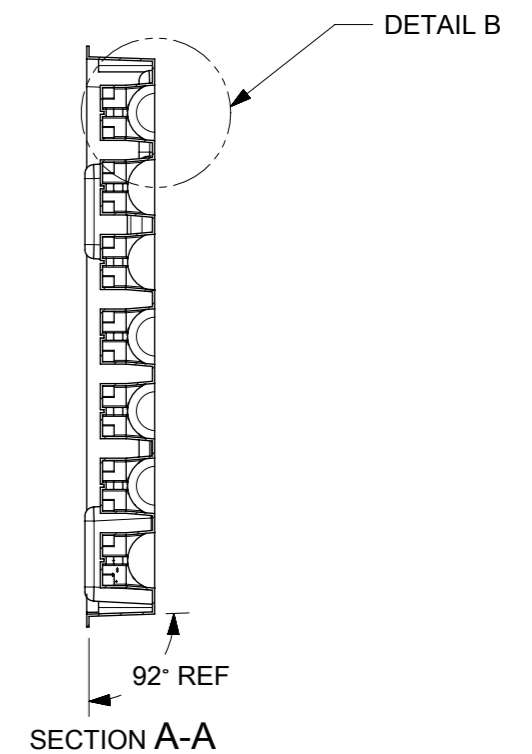
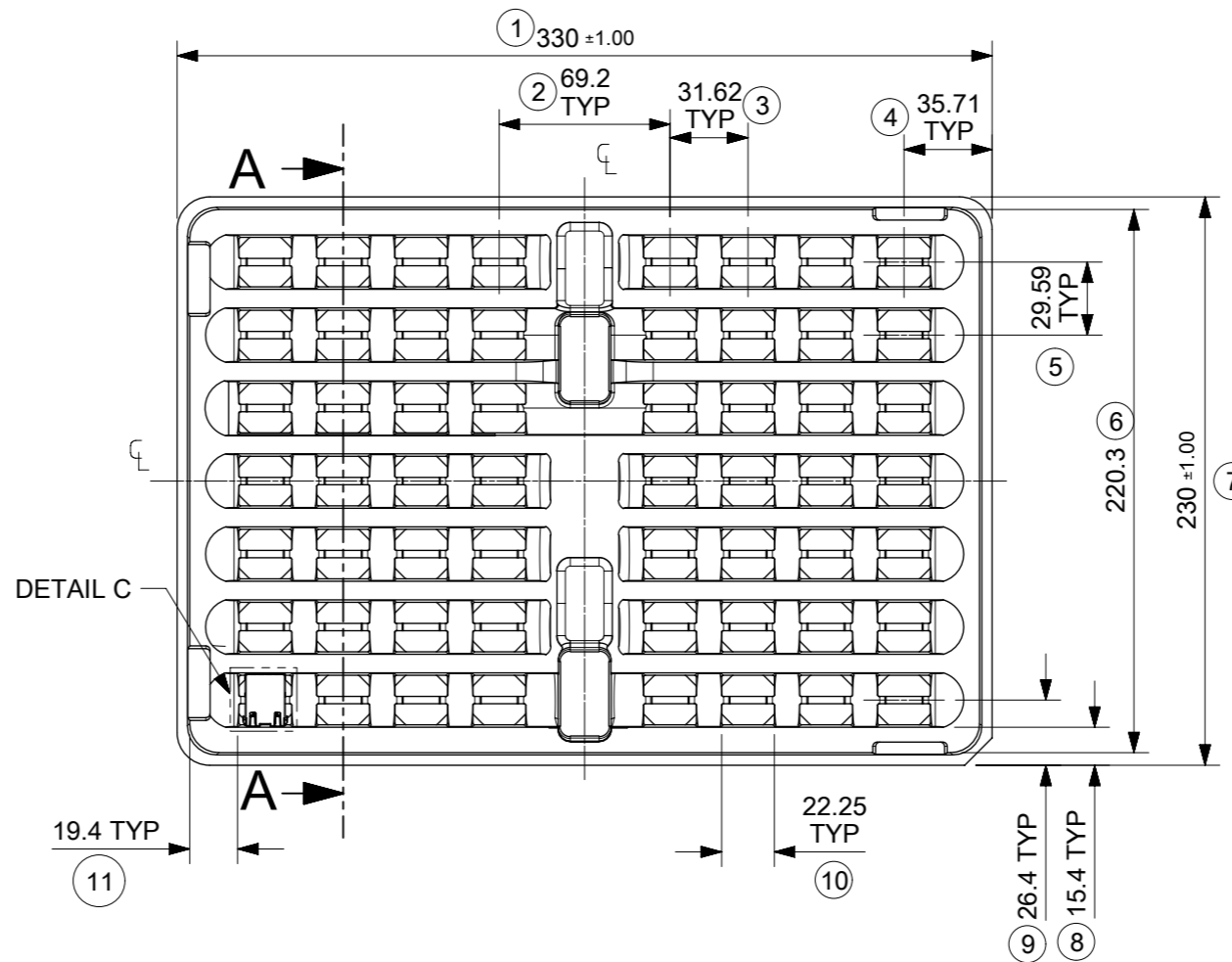
THIS DRAWING CONTAINS INFORMATION THAT IS PROPRIETARY TO MOLEX ELECTRONIC TECHNOLOGIES, LLC AND SHOULD NOT BE USED WITHOUT WRITTEN PERMISSION									
DIMENSION UNITS		SCALE		CURRENT REV DESC: REMOVED REFERENCE TO QUANTITY OF TRAYS PER STACK					
mm		1:3							
GENERAL TOLERANCES (UNLESS SPECIFIED)				EC NO: 602124				MXMAG STANDARD AND INVERTED TRAY	
ANGULAR TOL ± 1.0°				DRWN: DSHEA 2018/09/07					
4 PLACES ±				CHK'D: DBYRNES 2019/01/25				PRODUCT CUSTOMER DRAWING	
3 PLACES ±				APPR: DBYRNES 2019/01/25					
2 PLACES ± 0.2				INITIAL REVISION:				DOCUMENT NUMBER	
1 PLACE ± 0.5				DRWN: KREILLY 2016/05/06				934620003	
0 PLACES ±				APPR: STGRIFFIN 2016/12/07				DOC TYPE DOC PART REVISION	
DRAFT WHERE APPLICABLE MUST REMAIN WITHIN DIMENSIONS				THIRD ANGLE PROJECTION		DRAWING		MATERIAL NUMBER	
						A3-SIZE		990250150	
				SERIES		CUSTOMER		SHEET NUMBER	
				93462		GENERAL MARKET		1 OF 1	



DETAIL B



DETAIL C
SCALE 2:1



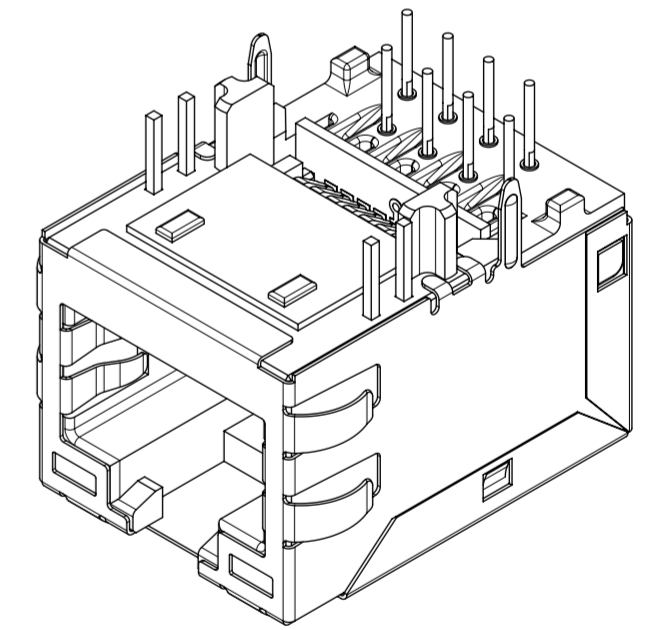
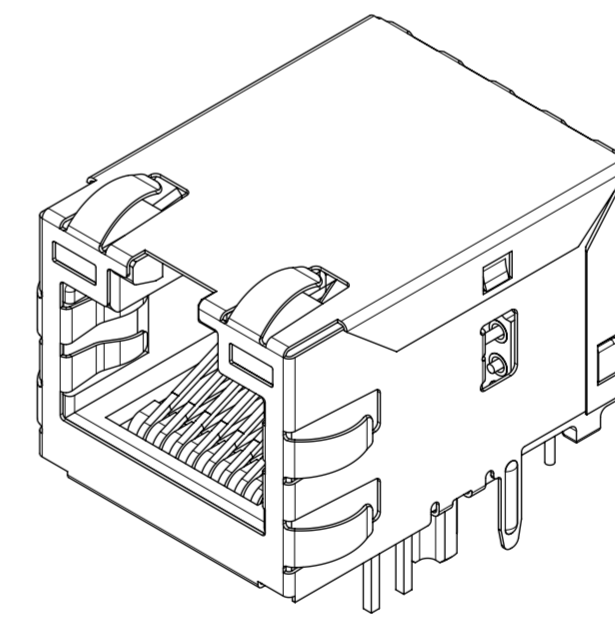
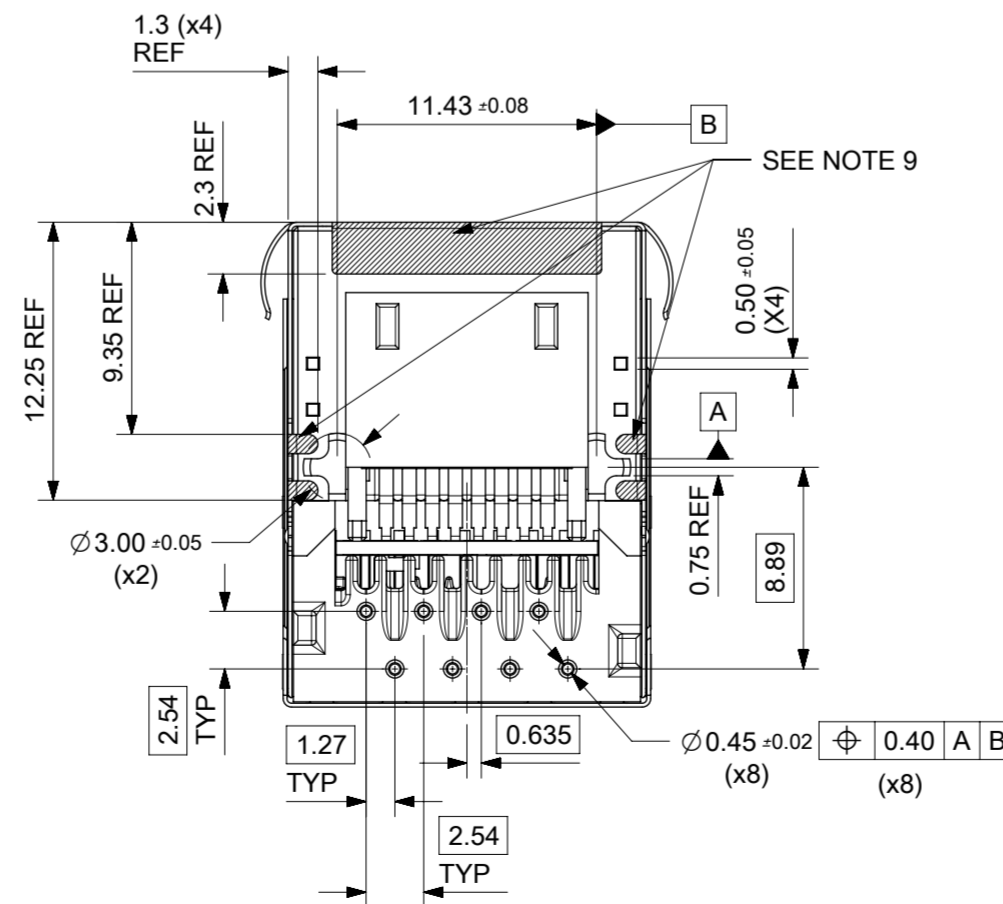
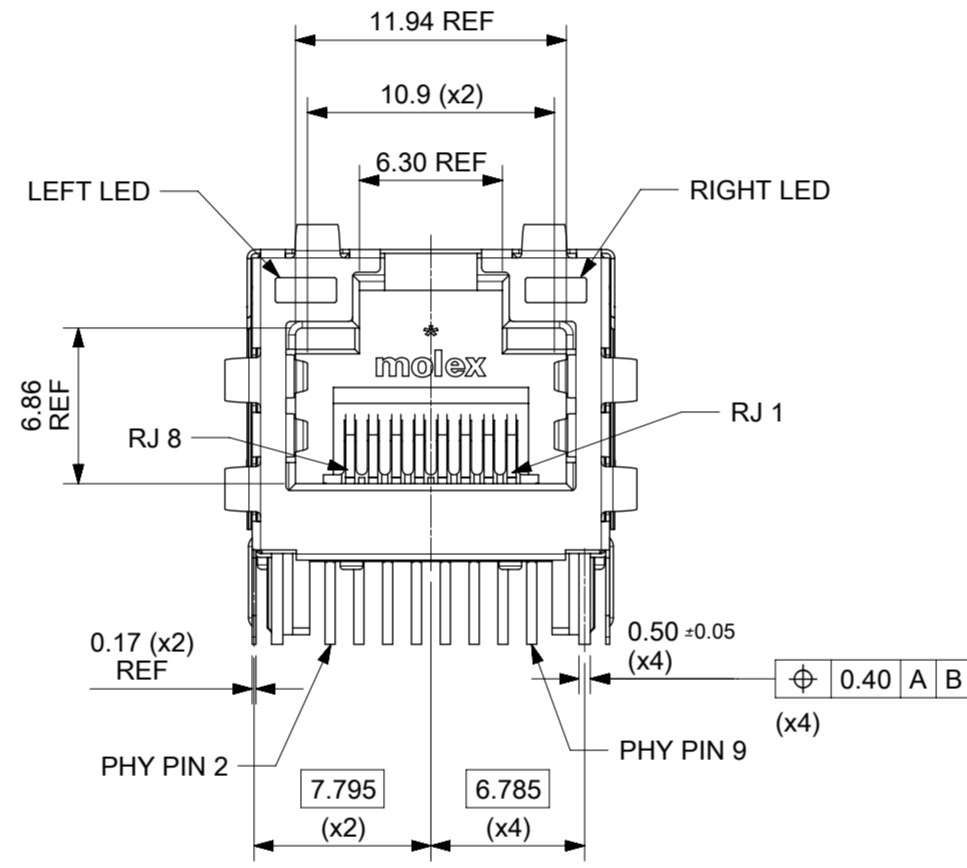
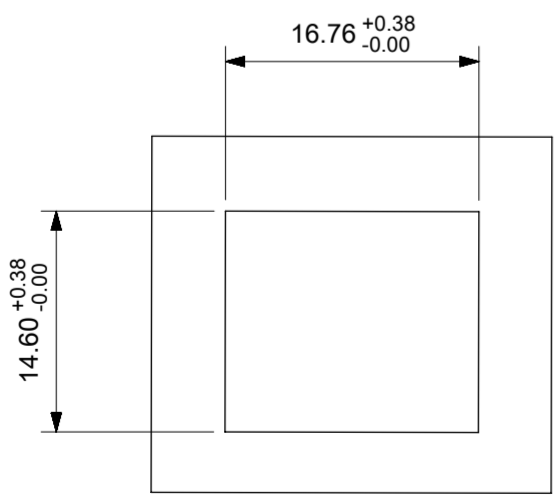
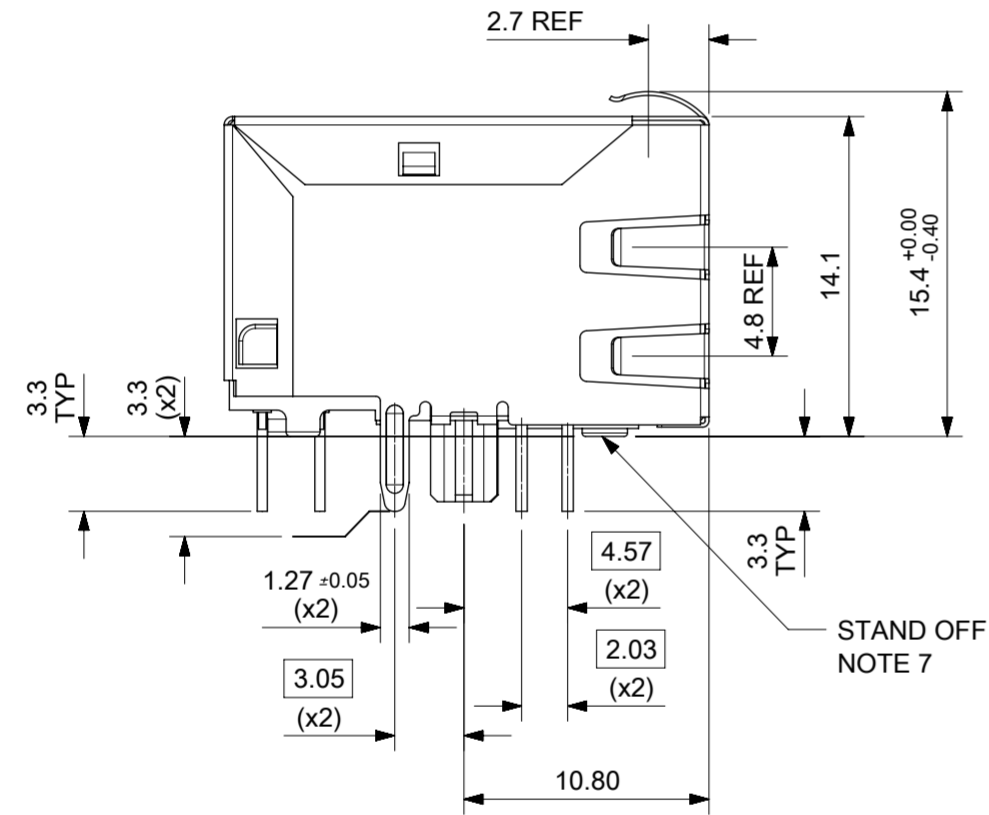
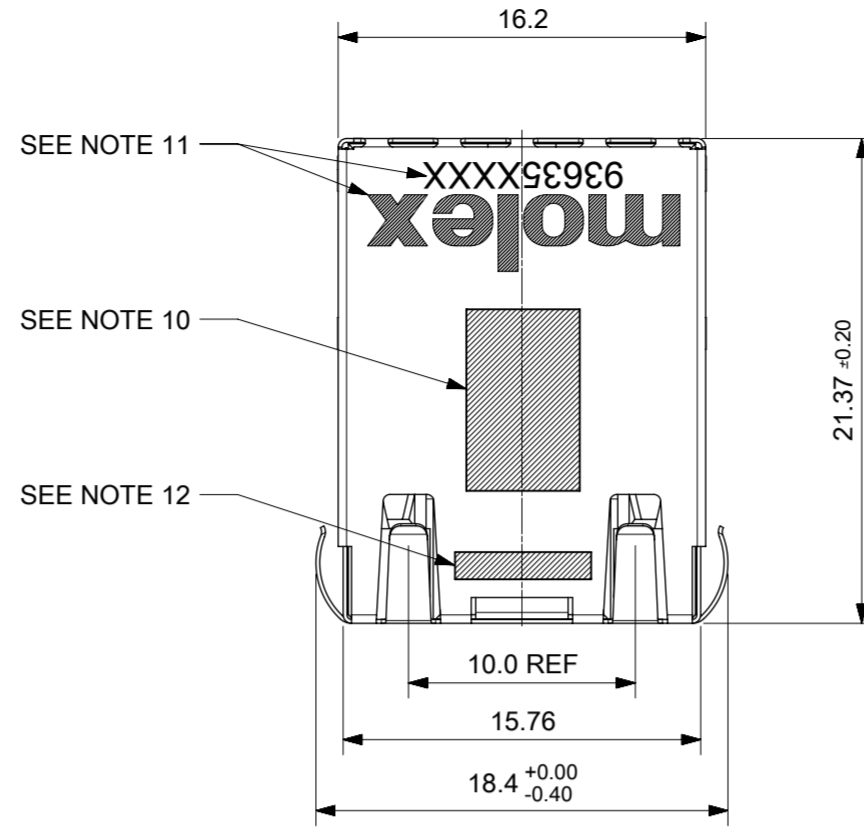
NOTES:

1. MATERIAL: PETA ANTISTATIC
2. THICKNESS: 0.9 mm ± 0.05 mm
3. COLOUR: CLEAR
4. BOW 2 mm MAXIMUM PER 330 mm
5. TWIST 2 mm MAXIMUM PER 330 mm
6. TRAY PART NO. AND RECYCLE LOGO TO BE CLEARLY MARKED ON TRAY
RECYCLE LOGO SHOULD BE APPROPRIATE TO MATERIAL USED
7. WHERE RELEVANT, DIMENSIONS SHOULD BE SYMMETRICAL ABOUT THE CENTRELINE
8. GENERAL PROFILE TOLERANCE $\overline{\cup}$ 0.40 ON NON DIMENSIONED FEATURES

LAST INSPECTION NUMBER USED: 12

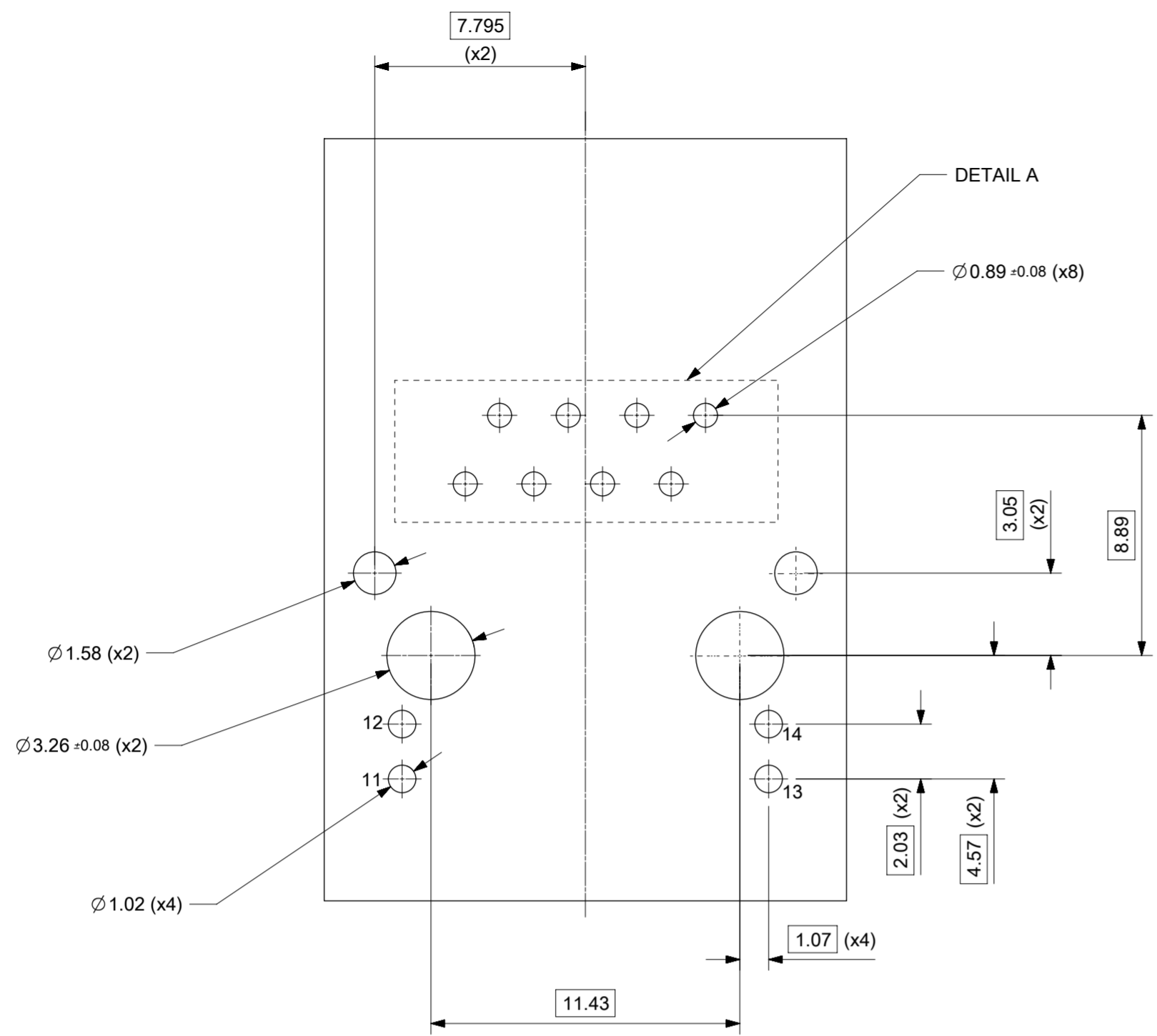
THIS DRAWING CONTAINS INFORMATION THAT IS PROPRIETARY TO MOLEX ELECTRONIC TECHNOLOGIES, LLC AND SHOULD NOT BE USED WITHOUT WRITTEN PERMISSION									
DIMENSION UNITS		SCALE		CURRENT REV DESC: REMOVED REFERENCE TO QUANTITY OF TRAYS PER STACK				molex	
mm		1:3							
GENERAL TOLERANCES (UNLESS SPECIFIED)									
ANGULAR TOL ± 1.0°				EC NO: 602124		2018/09/07		MXMAG STANDARD AND INVERTED TRAY	
4 PLACES ±				DRWN: DSHEA		2019/01/25		PRODUCT CUSTOMER DRAWING	
3 PLACES ±				CHK'D: DBYRNES		2019/01/25		DOCUMENT NUMBER	
2 PLACES ± 0.2				APPR: DBYRNES		2019/01/25		934620003	
1 PLACE ± 0.5				INITIAL REVISION:		2016/05/06		DOC TYPE	
0 PLACES ±				DRWN: KREILLY		2016/12/07		PSD	
DRAFT WHERE APPLICABLE MUST REMAIN WITHIN DIMENSIONS				THIRD ANGLE PROJECTION		DRAWING		DOC PART	
		A3-SIZE		SERIES		MATERIAL NUMBER		REVISION	
		93462		990250150		GENERAL MARKET		K B	
								SHEET NUMBER	
								1 OF 1	

INVERTED PROFILE MAGNETIC JACK
FAST ETHERNET W/SHIELD TABS

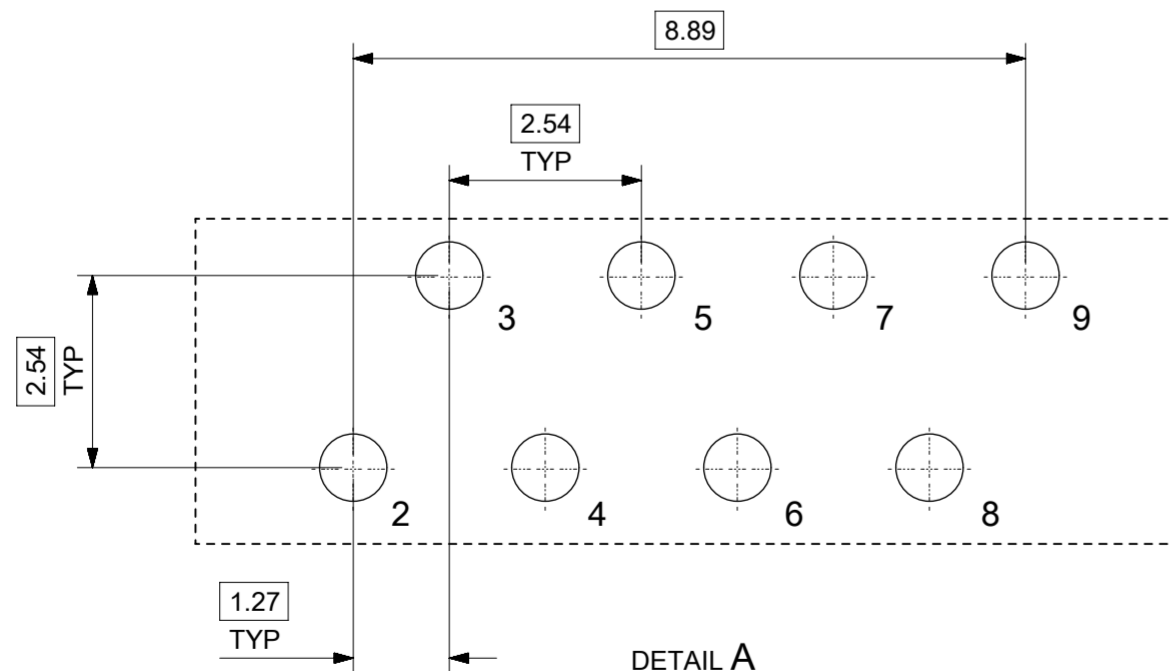


- NOTES:
- SHIELD MATERIAL: 0.17 mm THICK BRASS PRE-PLATED WITH NICKEL
SOLDER TABS POST DIPPED WITH MIN 1.27 μm TIN
 - HOUSING MATERIAL: LCP, BLACK, UL 94V-0
 - TERMINALS MATERIAL: PHOSPHOR BRONZE
RJ45 CONTACTS PLATING: BASE NICKEL PLATED WITH GOLD
FLASH OVER PALLADIUM NICKEL. REFER TO 934620001 PSP
PHY SOLDER TAILS: COPPER ALLOY
 - MATING INTERFACE ACCORDING TO IEC 60603-7 & TIA-1096-A
 - PRODUCT SPECIFICATION: 934620001 PSP
 - PACKAGING SPECIFICATION: 934620001 PSK - TRAY
 - STAND OFF TO SYSTEM BOARD 0.30 mm MIN
 - RECOMMENDED PCB THICKNESS: 1.57 mm
 - SHIELD: AVOID ROUTING TRACES
OR PLACING ANY VIAS BELOW THESE AREAS
 - AREA FOR PICK AND PLACE: 5.0 mm X 8.0 mm
 - INSCRIPTION MARKED BY LASER:
1st : MOLEX
2nd : P/N (SEE BOM)
 - INSCRIPTION MARKED BY LASER:
DATE CODE(DAY/WEEK/YEAR)
 - MATERIAL COMPLIANT TO RoHS DIRECTIVE 2002/95/EC

THIS DRAWING CONTAINS INFORMATION THAT IS PROPRIETARY TO MOLEX ELECTRONIC TECHNOLOGIES, LLC AND SHOULD NOT BE USED WITHOUT WRITTEN PERMISSION		GENERAL TOLERANCES (UNLESS SPECIFIED)		DIMENSION UNITS	SCALE	molex [®]	
REVISIONS		ANGULAR TOL ± 2.0 °		mm	3:1		
EC NO: 116686	2017/05/09	DRWN: KREILLY	2017/09/12	DRWN BY	DATE	INV MX-MAG 6 CORE FE W/SHIELD	
CHKD: DSHEA	2017/09/26	CHKD: DSHEA	2017/09/26	CHK'D BY	DATE	PRODUCT CUSTOMER DRAWING	
APPR: DBYRNES		APPR BY	DATE	DBYRNES	2015/10/02	SERIES MATERIAL NUMBER CUSTOMER	
		STGRIFFIN	2015/11/19			93635	SEE TABLE ON SHEET 2
		DRAFT WHERE APPLICABLE MUST REMAIN WITHIN DIMENSIONS		DRAWING SIZE	THIRD ANGLE PROJECTION	GENERAL MARKET	
B		A2		DOCUMENT NUMBER		936350001	DOC TYPE DOC PART SHEET NUMBER
						000	1 OF 3



SUGGESTED BOARD LAYOUT
GIGABIT VERSION
COMPONENT SIDE
ALL DIMS REFERENCE DIMS



DETAIL A
SCALE 10:1

PIN CONFIGURATION
FOR FAST ETHERNET VERSION

PART NUMBER	LEFT LED	RIGHT LED
93635-8314	YELLOW	GREEN

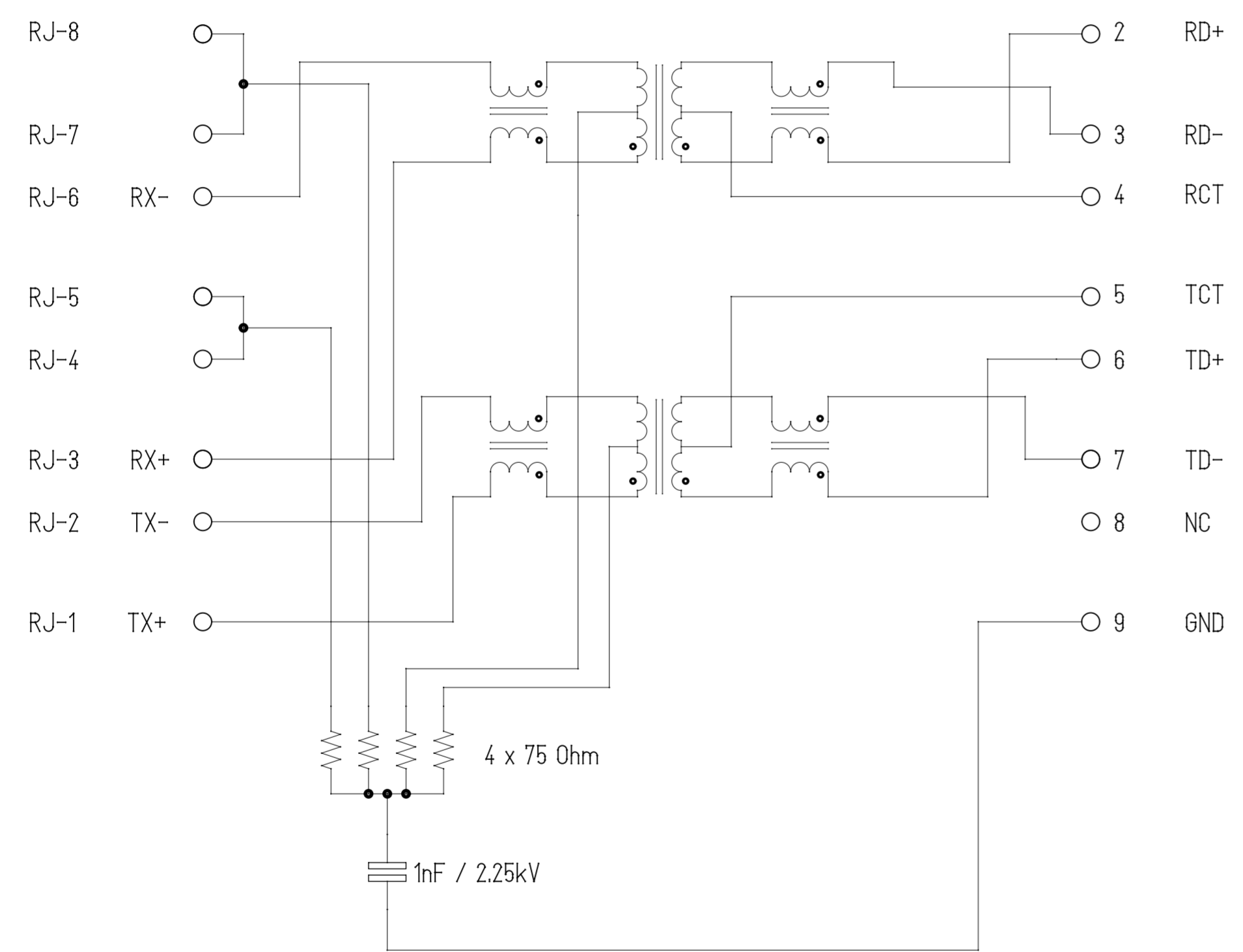
THIS DRAWING CONTAINS INFORMATION THAT IS PROPRIETARY TO MOLEX ELECTRONIC TECHNOLOGIES, LLC AND SHOULD NOT BE USED WITHOUT WRITTEN PERMISSION												
REVISED	EC NO: 116686	2017/05/09	GENERAL TOLERANCES (UNLESS SPECIFIED)	DIMENSION UNITS	SCALE	molex INV MX-MAG 6 CORE FE W/SHIELD						
	DRWN: KREILLY	2017/09/12	ANGULAR TOL ± 2.0 °	mm	5:1							
	CHKD: DSHEA	2017/09/26	4 PLACES ±	DRWN BY	DATE	PRODUCT CUSTOMER DRAWING						
	APP: DBYRNES		3 PLACES ±	KREILLY	2015/10/02	SERIES MATERIAL NUMBER CUSTOMER						
			2 PLACES ± 0.1	CHK'D BY	DATE	93635 SEE TABLE GENERAL MARKET						
		1 PLACE ± 0.2	DBYRNES	2015/09/12	DOCUMENT NUMBER DOC TYPE DOC PART SHEET NUMBER							
		0 PLACES ±	APPR BY	DATE	936350001 PSD 000 2 OF 3							
		DRAFT WHERE APPLICABLE MUST REMAIN WITHIN DIMENSIONS	STGRIFFIN	2015/11/19	DRAWING SIZE	THIRD ANGLE PROJECTION						
B			A2									

RJ-45 CONTACTS

WIRE-SIDE / RJ-45

ETHERNET MAGNETICS

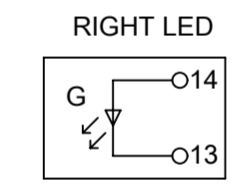
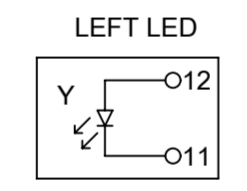
PHY-SIDE / PCB SIDE



Shield

ETHERNET TERMINALS

Description	Value	
OCL @100 kHz, 0.1 V 8 mA DC bias (-40°C to +85°C)	350 µH min.	
Turns ratio	1CT:1CT	
Transmission characteristics @ 25°C, all four pairs		
Insertion Loss		
Frequency f, (MHz)	Limits (dB max.)	Typical Values (dB max.)
1.0-9.9	0.4+0.1*log(f)	0.5 @ 10 MHz
10-49.9	0.5+0.3*log(f/10)	0.7 @ 50 MHz
50-79.9	1+1.4*log(f/80)	1.0 @ 80 MHz
80-100	1.3+3*log(f/100)	1.3 @ 100 MHz
Return Loss		
Frequency f, (MHz)	Limits (dB min.)	Typical Values (dB min.)
1.0-39.9	18	18 @ 40 MHz
40-100	12-20*log(f/80)	10 @ 100 MHz
CMR		
Frequency f, (MHz)	Limits (dB min.)	Typical Values (dB min.)
1.0-100	30	30 @ 100 MHz
Next		
Frequency f, (MHz)	Limits (dB min.)	Typical Values (dB min.)
1.0-39.9	35	35 @ 40 MHz
40-100	33-20*log(f/50)	27 @ 100 MHz
Isolation PHY to wire side	2.25 kVDC/60sec	



THIS DRAWING CONTAINS INFORMATION THAT IS PROPRIETARY TO MOLEX ELECTRONIC TECHNOLOGIES, LLC AND SHOULD NOT BE USED WITHOUT WRITTEN PERMISSION

REVISED EC NO: 116686 DRWN: KREILLY CHKD: DSHEA REV APPR: DBYRNES	2017/05/09	GENERAL TOLERANCES (UNLESS SPECIFIED)	DIMENSION UNITS	SCALE	molex INV MX-MAG 6 CORE FE W/SHIELD		
	2017/09/12	(UNLESS SPECIFIED)	mm	1:1			
	2017/09/26	ANGULAR TOL ± 2.0 °	DRWN BY	DATE	PRODUCT CUSTOMER DRAWING		
		4 PLACES ±	KREILLY	2015/10/02			
		3 PLACES ±	CHK'D BY	DATE	SERIES MATERIAL NUMBER CUSTOMER		
	2 PLACES ± 0.1	DBYRNES	2015/09/12	93635 SEE TABLE ON SHEET 2 GENERAL MARKET			
	1 PLACE ± 0.2	APPR BY	DATE	DOCUMENT NUMBER DOC TYPE DOC PART SHEET NUMBER			
	0 PLACES ±	STGRIFFIN	2015/11/19				936350001 PSD 000 3 OF 3
	DRAFT WHERE APPLICABLE MUST REMAIN WITHIN DIMENSIONS	DRAWING SIZE	THIRD ANGLE PROJECTION				
		A2					