



Main

| | |
|---------------------------|--|
| Range of Product | Preventa Safety automation |
| Product or Component Type | Safe relay output module |
| Device short name | XPSMCM |
| Electrical Connection | Spring terminal |
| [Us] rated supply voltage | 24 V - 20...20 % DC |
| Number of Outputs | 4 relay |
| Discrete output number | 8 solid state 125 mA diagnostics) |
| Function of module | Monitoring safety actuators relay output |

Complementary

| | |
|--------------------------------|---|
| Maximum power dissipation in W | 3 W |
| Integrated connection type | Backplane expansion bus |
| Switching voltage | 10 V DC |
| Associated fuse rating | 3.5 A, slow-blow |
| Safety level | Can reach category 4 EN/ISO 13849-1 Can reach PL = e EN/ISO 13849-1 Can reach SIL 3 EN/IEC 61508 SILCL 3 IEC 62061 |
| Quality labels | CE |
| Output type | Relay, 4 NO, volt-free |
| Quantity per Set | 1 |
| Switching time | 12 ms |
| Maximum switching voltage | 400 V AC 250 V DC |
| Minimum switching current | 20 mA |
| Maximum switching current | 6 A |
| Number of terminal blocks | 6 |
| Local signalling | 1 LED green PWR power ON 1 LED green RUN RUN (status) 1 LED red E IN internal error 1 LED red E EX external error 2 LEDs orange ADDR node address 4 LEDs green/red RELAY K1...K4 relay contact 4 LEDs yellow RST requires reset 8 LEDs yellow STATUS diagnostics output |
| Connections - terminals | 1 spring clamp terminals, removable terminal block 2 spring clamp terminals, removable terminal block |
| Cable cross section | 0.00...0.00 In ² (0.2...2.5 mm ²) - AWG 24...AWG 14 flexible without cable end 0.00...0.00 In ² (0.25...2.5 mm ²) - AWG 23...AWG 14 flexible with cable end, with bezel 0.00...0.00 In ² (0.25...2.5 mm ²) - AWG 23...AWG 14 flexible with cable end, without bezel 0.00...0.00 In ² (0.2...2.5 mm ²) - AWG 24...AWG 14 solid without cable end 0.00...0.00 in ² (0.5...1 mm ²) - AWG 20...AWG 18 flexible with cable end, with double bezel |
| Mounting support | Omega 35 mm DIN rail EN 50022 |
| Width | 0.89 in (22.5 mm) |
| Height | 3.90 in (99 mm) |
| Depth | 4.51 in (114.5 mm) |
| Net Weight | 0.73 lb(US) (0.33 kg) |

Environment

| | |
|--|---|
| Standards | EN/ISO 13849-1 IEC 62061 EN/IEC 61800-5-1 EN/IEC 61508 |
| Product Certifications | TÜV RCM cULus |
| IP degree of protection | IP20 |
| Ambient Air Temperature for Operation | 14...131 °F (-10...55 °C) |
| Ambient Air Temperature for Storage | -4...185 °F (-20...85 °C) |
| Relative Humidity | 10...95 % |
| Pollution degree | 2 |
| [Uimp] rated impulse withstand voltage | 4 kV EN/IEC 61800-5-1 |
| Safety reliability data | B10d = 300000 AC-15 230 V , , <3 A EN/ISO 13849-1 B10d = 750000 AC-15 230 V , , <1 A EN/ISO 13849-1 B10d = 10000000 DC-13 24 V , , <2 A EN/ISO 13849-1 |
| Insulation | 250 V AC between power supply and housing EN/IEC 61800-5-1 |
| Overvoltage category | II |
| Electromagnetic compatibility | Electrostatic discharge immunity test 6 kV on contact) EN/IEC 61000-4-2 Electrostatic discharge immunity test 20 kV on air) EN/IEC 61000-4-2 Susceptibility to electromagnetic fields 10 V/m 80...1000 MHz) EN/IEC 61000-4-3 Susceptibility to electromagnetic fields 30 V/m 1.4 GHz...2 GHz) EN/IEC 61000-4-3 |
| Vibration resistance | +/-0.35 mm 10...55 Hz)EN/IEC 61496-1 |
| Shock resistance | 10 gn 16 ms 1000 shocks on each axis)EN/IEC 61496-1 |
| Electrical durability | 20000000 cycles |
| Mechanical durability | 20000000 cycles |
| Service Life | 20 year(s) |

Ordering and shipping details

| | |
|-------------------|---------------------------------|
| Category | 22477-SAFETY MODULES (PREVENTA) |
| Discount Schedule | SAF2 |
| GTIN | 3606480748868 |
| Returnability | No |
| Country of origin | IT |

Packing Units

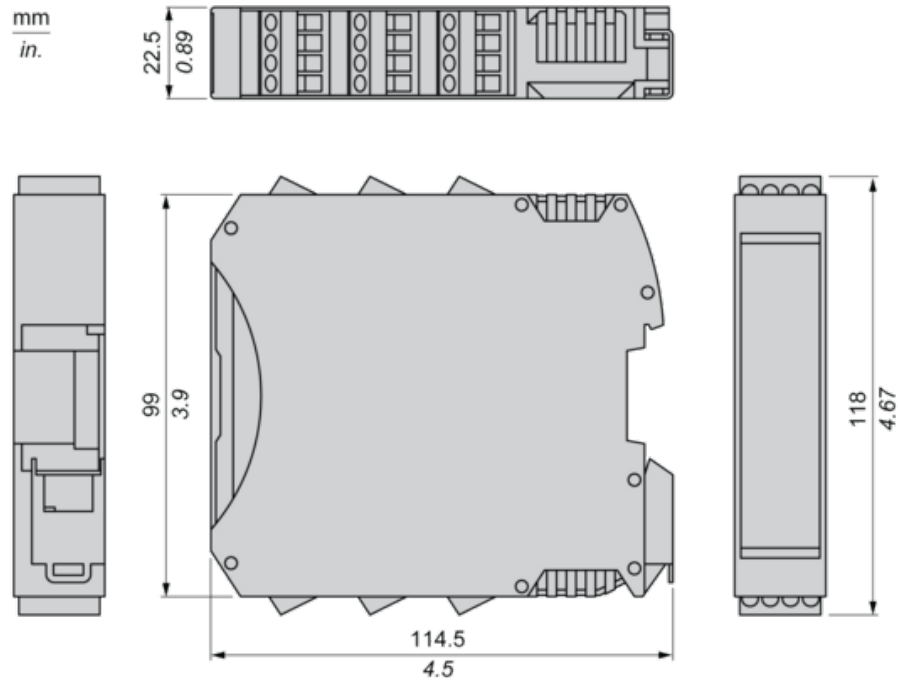
| | |
|------------------------------|------------------------|
| Unit Type of Package 1 | PCE |
| Number of Units in Package 1 | 1 |
| Package 1 Height | 1.77 in (4.5 cm) |
| Package 1 Width | 5.04 in (12.8 cm) |
| Package 1 Length | 6.38 in (16.2 cm) |
| Package 1 Weight | 11.01 oz (312.0 g) |
| Unit Type of Package 2 | S01 |
| Number of Units in Package 2 | 6 |
| Package 2 Height | 5.91 in (15.0 cm) |
| Package 2 Width | 5.91 in (15.0 cm) |
| Package 2 Length | 15.75 in (40.0 cm) |
| Package 2 Weight | 4.66 lb(US) (2.114 kg) |

Offer Sustainability

| | |
|----------------------------|---|
| Sustainable offer status | Green Premium product |
| California proposition 65 | WARNING: This product can expose you to chemicals including: Lead and lead compounds, which is known to the State of California to cause cancer and birth defects or other reproductive harm. For more information go to www.P65Warnings.ca.gov |
| REACH Regulation | REACH Declaration |
| REACH free of SVHC | Yes |
| EU RoHS Directive | Pro-active compliance (Product out of EU RoHS legal scope) EU RoHS Declaration |
| Mercury free | Yes |
| RoHS exemption information | Yes |
| China RoHS Regulation | China RoHS Declaration |
| Environmental Disclosure | Product Environmental Profile |
| Circularity Profile | End Of Life Information |
| WEEE | The product must be disposed on European Union markets following specific waste collection and never end up in rubbish bins. |
| PVC free | Yes |

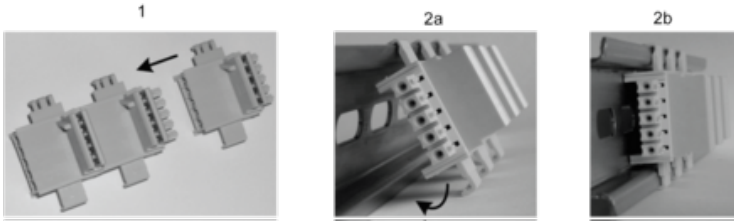
Dimensions

Spring Terminal



Mounting Safety Controller CPU with Module(s)

Mount BackPlane Connector on Rail



- 1 : Connect as much Backplane Connector as module to be install.
- 2 : Fix the connectors to the rail (Top first).

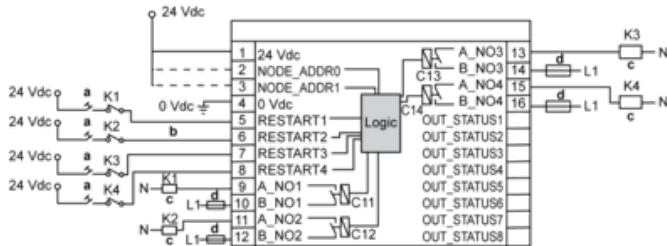
Mount Safety Controller CPU with Other Module(s)



- 1 : Mount controller CPU and modules on rail.
- 2 : Make sure that the controller CPU or the module(s) are plugged on the BackPlane connector.

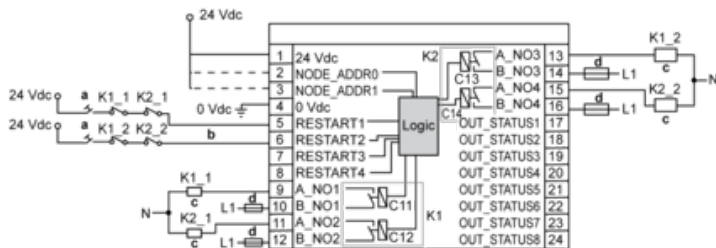
Wiring

Category 2 Wiring



- a : Restart
- b : Feedback
- c : Load
- d : Fuse

Category 4 Wiring



- a : Restart
- b : Feedback
- c : Load
- d : Fuse